

MOTOMAN SIA-series

Flexible Applications with the SIA-series

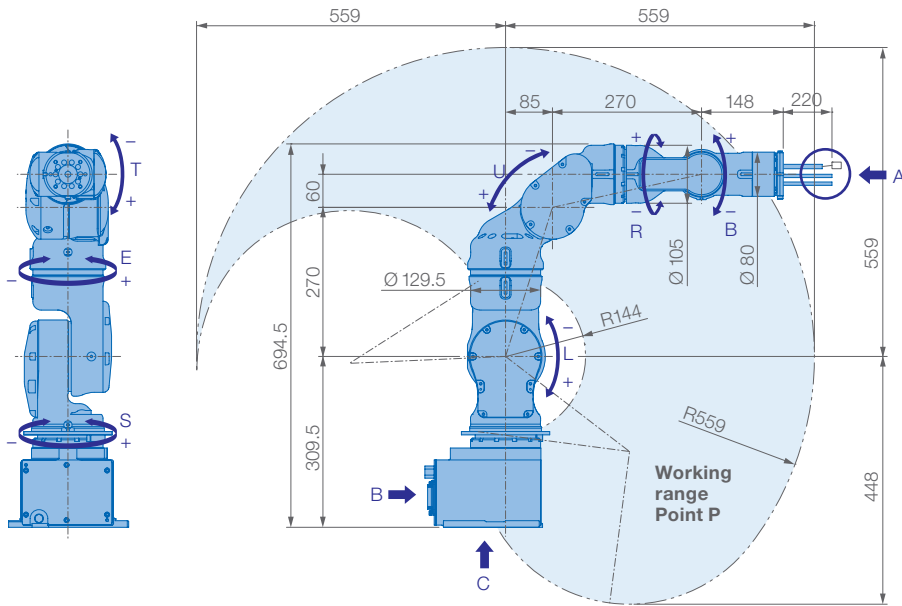


The SIA-series are small and agile 7-axis robots providing „human-like“ flexibility of movement and fast acceleration. They distinguish themselves through slim and lightweight design. They offer high payload and big working ranges. These agile and versatile robots open up a wide range of industrial applications: ideal for assembly, injection moulding, inspection, machine tending and a host of other operations.

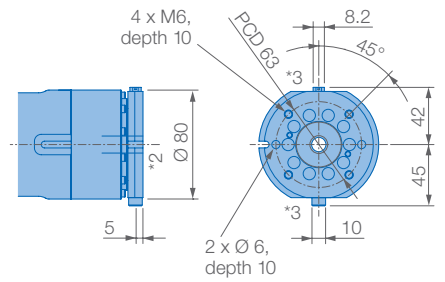
This robots are driven by the compact MOTOMAN FS100 controller.

KEY BENEFITS

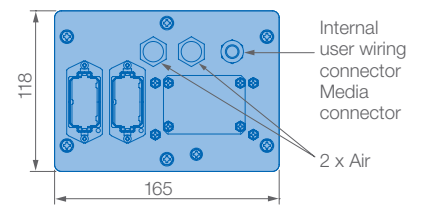
- 7 axes
- Flexible applications
- Compact design allows maximum performance



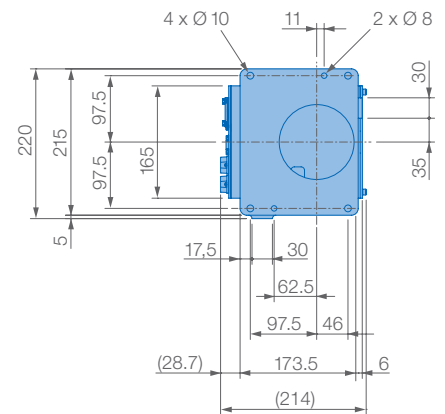
View A



View B

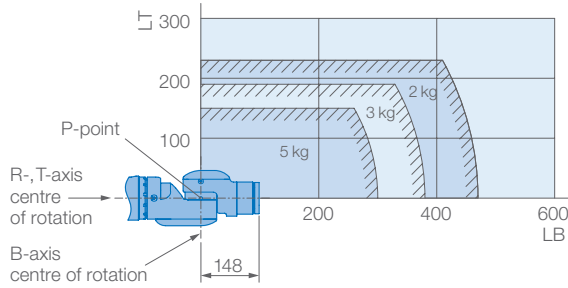


View C



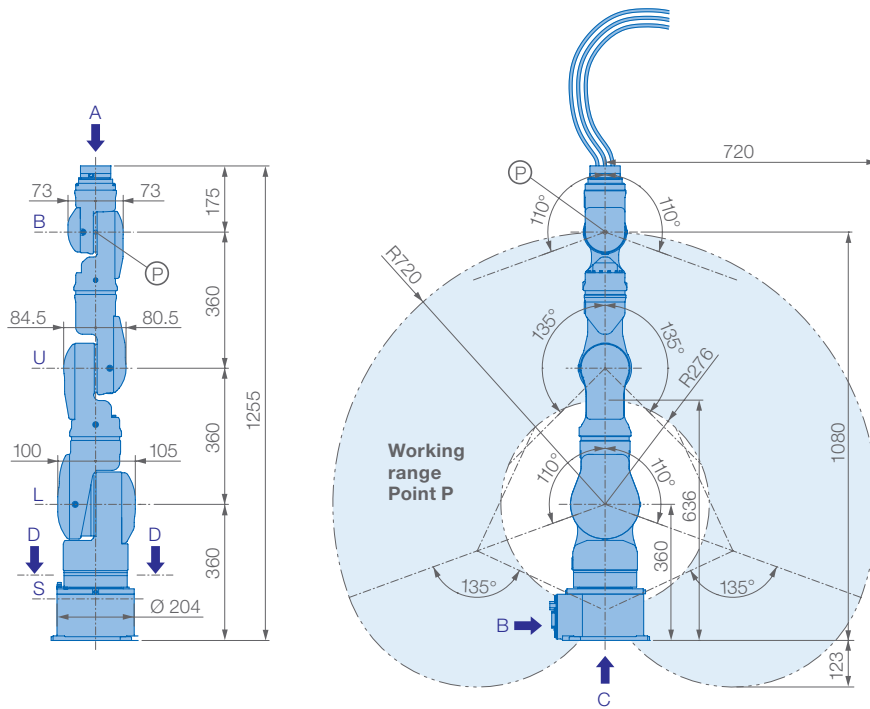
Mounting options: Floor, ceiling, wall

Allowable wrist load

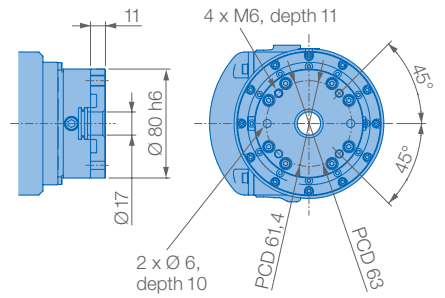


Specifications SIA5F

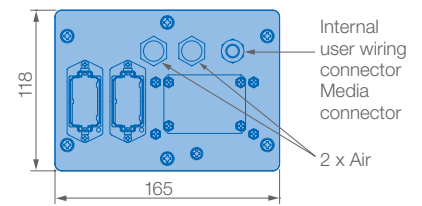
Axes	Maximum motion range [°]	Maximum speed [°/sec.]	Allowable moment [Nm]	Allowable moment of inertia [kg · m ²]	Specifications	
					Controlled axes	Value
S	±180	200	-	-	Max. payload [kg]	5
L	±110	200	-	-	Repeatability [mm]	±0,06
θ	±170	200	-	-	Max. working range R [mm]	559
U	+90/-115	200	-	-	Temperature [°C]	0 bis +40
R	±180	200	14,7	0,45	Humidity [%]	20 – 80
B	±110	230	14,7	0,45	Weight [kg]	30
T	±180	350	7,35	0,11	Power supply, average [KVA]	1,0



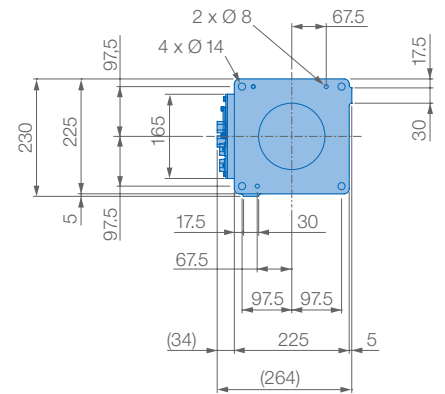
View A



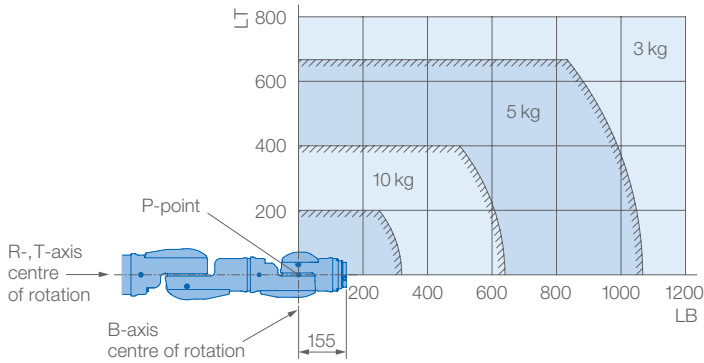
View B



View C



Allowable wrist load

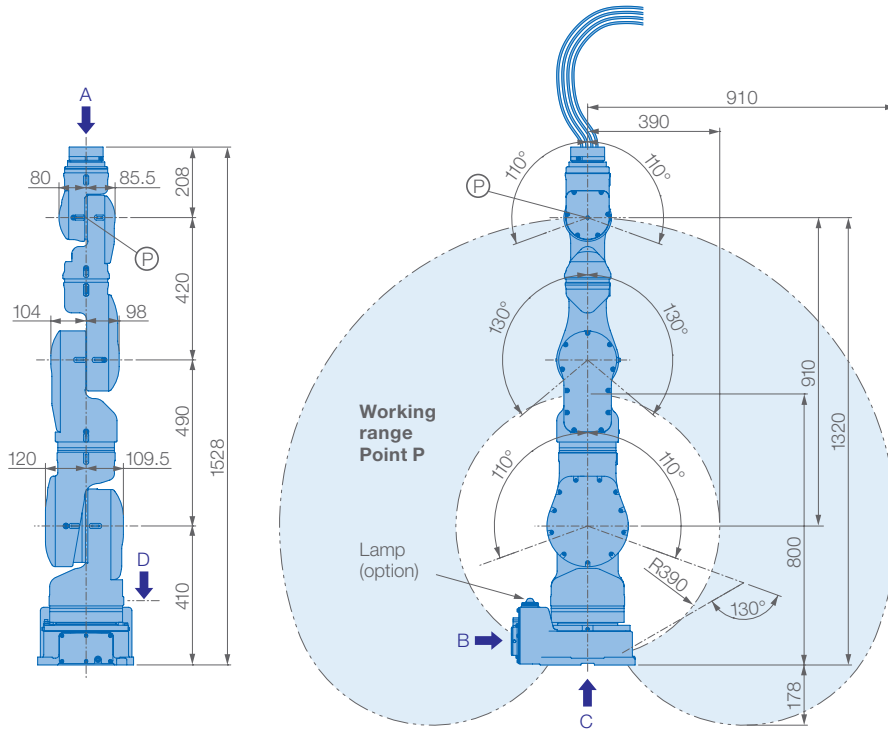


Mounting options: Floor, ceiling, wall

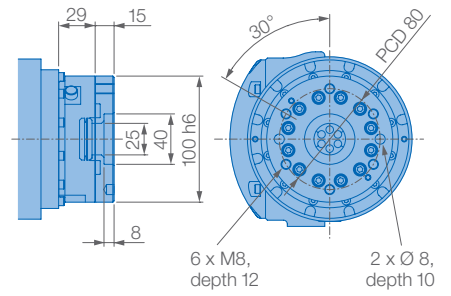


Specifications SIA10F

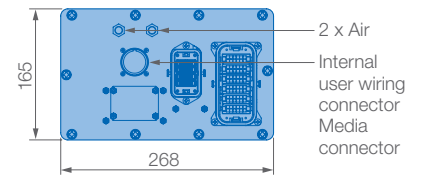
Axes	Maximum motion range [°]	Maximum speed [%/sec.]	Allowable moment [Nm]	Allowable moment of inertia [kg · m ²]	Specifications	
					Controlled axes	Value
S	±180	170	-	-	Max. payload [kg]	10
L	±110	170	-	-	Repeatability [mm]	±0,06
θ	±170	170	-	-	Max. working range R [mm]	720
U	±135	170	-	-	Temperature [°C]	0 bis +40
R	±180	200	31,4	1,0	Humidity [%]	20 – 80
B	±110	200	31,4	1,0	Weight [kg]	60
T	±180	400	19,6	0,4	Power supply, average [KVA]	1,0



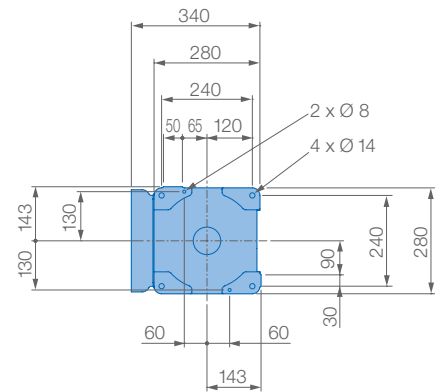
View A



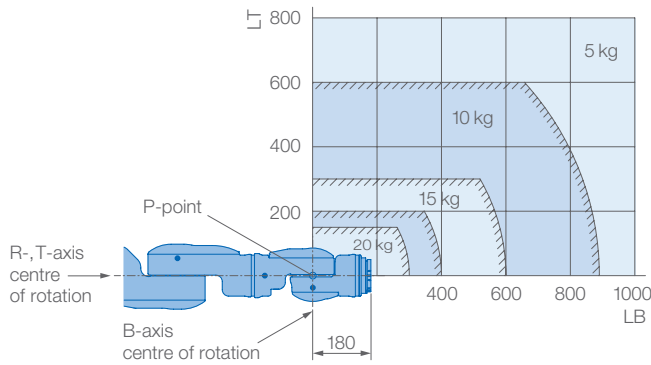
View B



View C



Allowable wrist load



Mounting options: Floor, ceiling, wall



Specifications SIA20F

Axes	Maximum motion range [°]	Maximum speed [°/sec.]	Allowable moment [Nm]	Allowable moment of inertia [kg · m ²]	Specifications	
					Controlled axes	Value
S	±180	130	-	-	Max. payload [kg]	20
L	±110	130	-	-	Repeatability [mm]	±0,1
Θ	±170	170	-	-	Max. working range R [mm]	910
U	±130	170	-	-	Temperature [°C]	0 bis +40
R	±180	200	58,8	4,0	Humidity [%]	20 – 80
B	±110	200	58,8	4,0	Weight [kg]	120
T	±180	400	29,4	2,0	Power supply, average [KVA]	2,2



YASKAWA Headquarters

YASKAWA Europe GmbH
Robotics Division
Yaskawastraße 1
85391 Allershausen, Germany
Tel. +49 (0) 8166/90-0
Fax +49 (0) 8166/90-103

YASKAWA ACADEMY and sales office Frankfurt

YASKAWA Europe GmbH
Robotics Division
Hauptstraße 185
65760 Eschborn, Germany
Tel. +49 (0) 6196/77725-0
Fax +49 (0) 6196/77725-39

YASKAWA GROUP

AT YASKAWA Austria
Schwechat/Wien
+43(0)1-707-9324-15

CZ YASKAWA Czech s.r.o.
Rudná u Prahy
+420-257-941-718

ES YASKAWA Ibérica, S.L.
Gavà/Barcelona
+34-93-6303478

FR YASKAWA France SARL
Saint-Aignan-de-Grand-Lieu
+33-2-40131919

FI YASKAWA Finland Oy
Turku +358-(0)-403000600

GB YASKAWA UK Ltd.
Banbury +44-1295-272755

IT YASKAWA Italia s.r.l.
Torino +39-011-9005833

IL YASKAWA Europe Technology Ltd.
Rosh Ha'ayin +972-3-9004114

NL YASKAWA Benelux B.V.
Son +31-40-2895500

PL YASKAWA Polska Sp. z o.o.
Wrocław +48-71-7928670

RU YASKAWA Nordic AB
Moskva +46-480-417-800

SE YASKAWA Nordic AB
Torsås +46-480-417-800

SI YASKAWA Slovenia
Ribnica +386-1-8372-410

TR YASKAWA Turkey Elektrik
Ticaret Ltd. Sti.
İstanbul +90-216-5273450

ZA YASKAWA Southern Africa (PTY) Ltd
Johannesburg +27-11-6083182

DISTRIBUTORS

BG ARAMET ROBOTICS Ltd.
Yambol +359-885 317 294
Kammarton Bulgaria Ltd.
Sofia +359-02-926-6060

CH Messer Eutectic Castolin
Switzerland S.A.
Dällikon +41-44-847-17-17

DK Robotcenter Danmark
Løsning +45 7022 2477

EE RKR Seadmed OÜ
Tallinn/Estonia +372-68-35-235

GR Gizelis Robotics
Nea Kifissia +30-2106251455

HU Flexman Robotics Kft
Budapest +36-30-9510065

LT Profibus UAB
Panevezys +370-45-518575

NO Skala Robotech AS
Lierstranda +47-32240600

PT ROBOPLAN Lda
Aveiro +351-234 943 900

RO Sam Robotics srl
Timisoara +40-720-279-866
MPL Automation S.R.L.
Satu Mare +40 (0) 261 750 741

