

# YASKAWA

# MOTOMAN SDA-series

Flexible Applications with the SDA-series



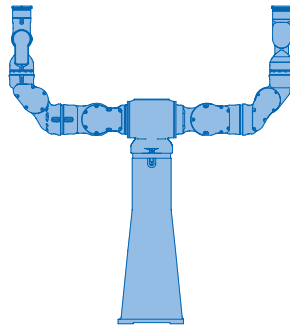
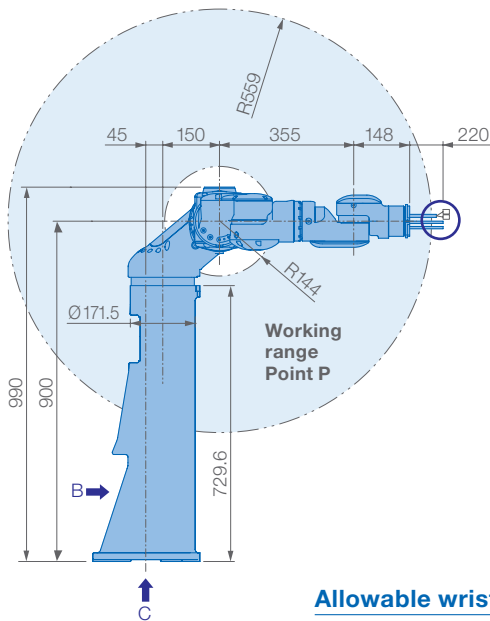
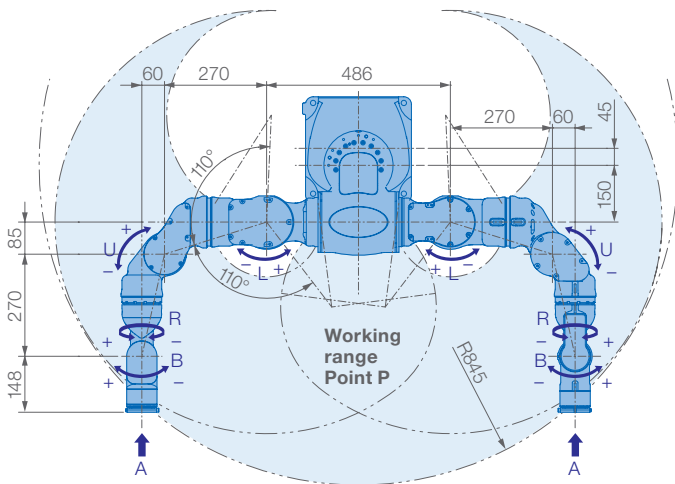
The SDA-series are slim and agile 15-axis dual-arm robots providing „human-like“ flexibility of movement and fast acceleration. They distinguish themselves through slim and lightweight design.

Superior dexterity and best-in-class wrist characteristics make slim, dual-arm robots ideally suited for assembly, part transfer, machine tending, packaging and other handling tasks, that formerly could only be done by people.

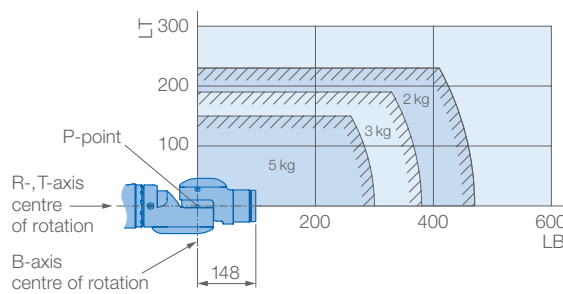
This allround-robot are driven by the MOTOMAN FS100 compact controller.

## KEY BENEFITS

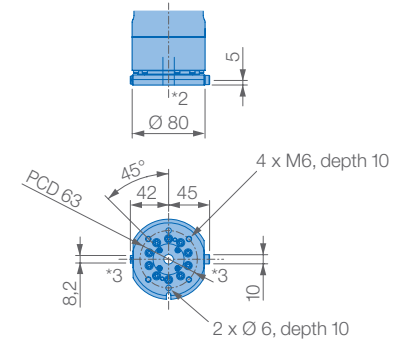
- 15 axes
- Flexible applications
- Compact design allows maximum performance



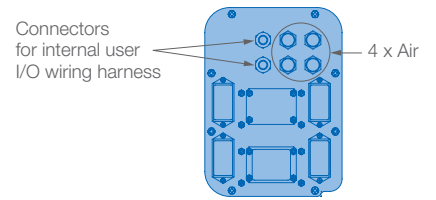
Allowable wrist load



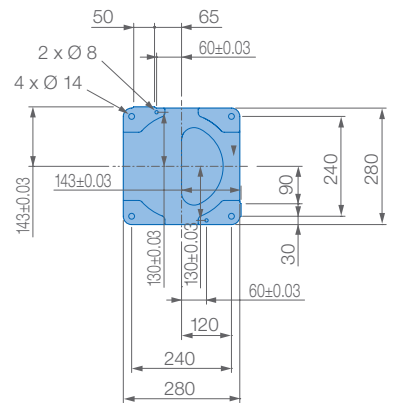
View A



View B



View C

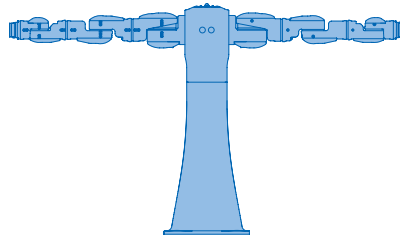
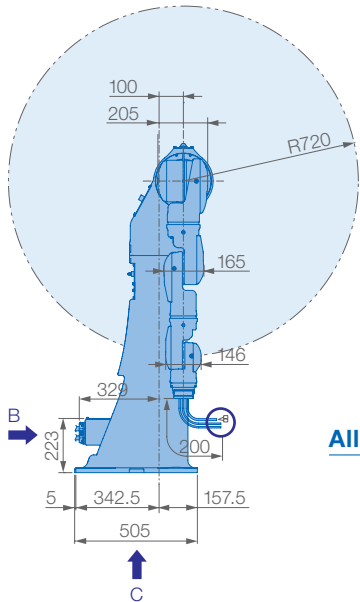
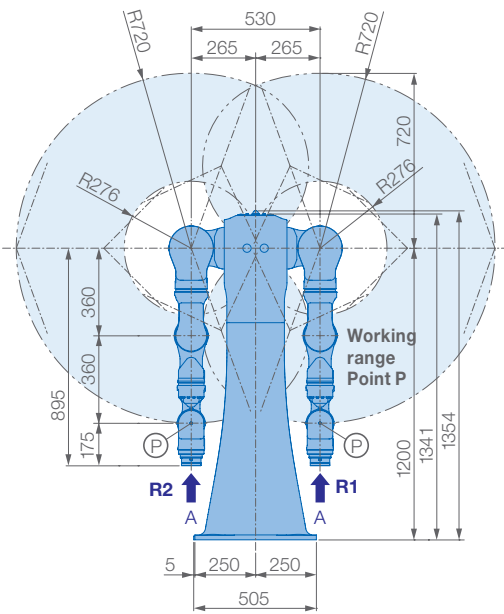


Mounting options: Floor, wall, ceiling

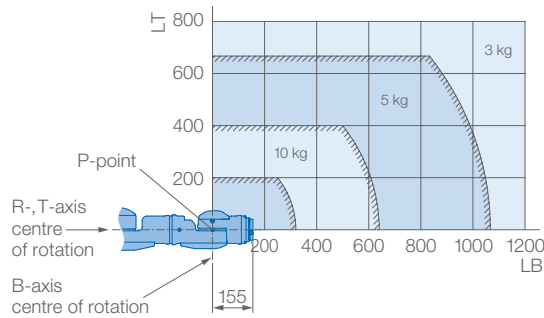


Specifications SDA5F

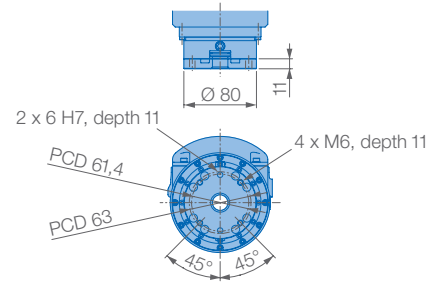
Axes	Maximum motion range [°]	Maximum speed [°/sec.]	Allowable moment [Nm]	Allowable moment of inertia [kg · m <sup>2</sup> ]		
Rotation	±170	180	-	-	<b>Controlled axes</b>	15
S	+90/-270	200	-	-	<b>Max. payload [kg]</b>	5
L	±110	200	-	-	<b>Repeatability [mm]</b>	±0.06
Θ	±170	200	-	-	<b>Max. working range R [mm]</b>	845 / 559
U	+90/-115	200	-	-	<b>Temperature [°C]</b>	0 to +40
R	±180	200	14.7	0.45	<b>Humidity [%]</b>	20 – 80
B	±110	230	14.7	0.45	<b>Weight [kg]</b>	110
T	±180	350	7.35	0.11	<b>Power supply, average [KVA]</b>	1.4



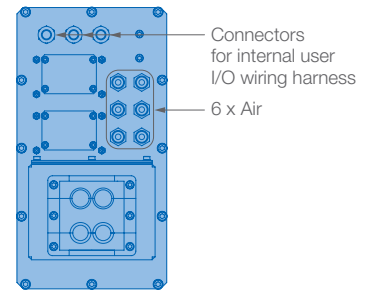
**Allowable wrist load**



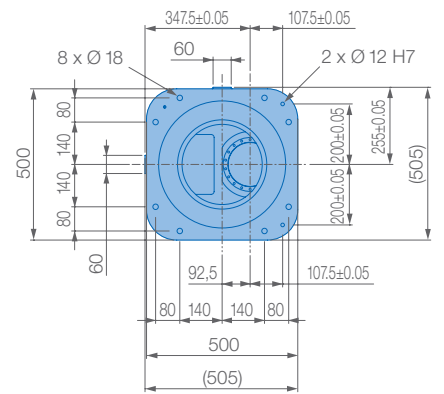
**View A**



**View B**



**View C**



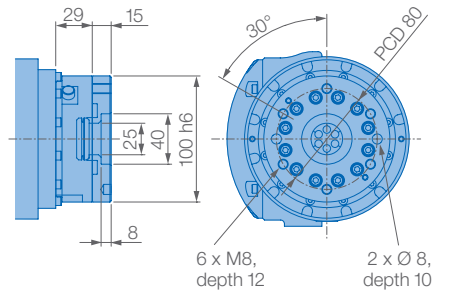
Mounting options: Floor, wall, ceiling



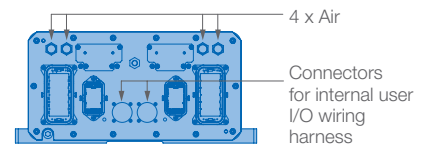
**Specifications SDA10F**

Axes	Maximum motion range [°]	Maximum speed [°/sec.]	Allowable moment [Nm]	Allowable moment of inertia [kg · m <sup>2</sup> ]		
Rotation	±170	130	-	-	<b>Controlled axes</b>	15
S	±180	170	-	-	<b>Max. payload [kg]</b>	10
L	±110	170	-	-	<b>Repeatability [mm]</b>	±0.1
Θ	±170	170	-	-	<b>Max. working range R [mm]</b>	720 / 720
U	±135	170	-	-	<b>Temperature [°C]</b>	0 to +40
R	±180	200	31.4	1.0	<b>Humidity [%]</b>	20 – 80
B	±110	200	31.4	1.0	<b>Weight [kg]</b>	220
T	±180	400	19.6	0.4	<b>Power supply, average [KVA]</b>	1.5

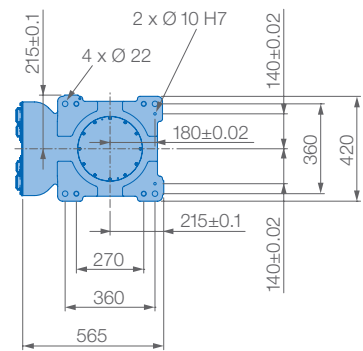
View A



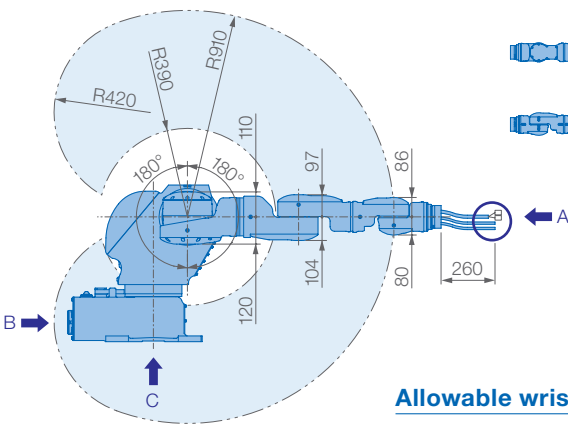
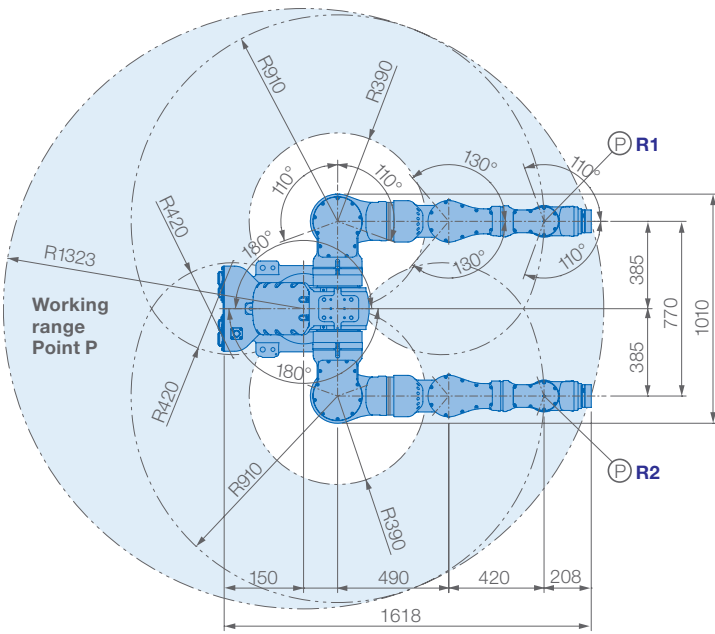
View B



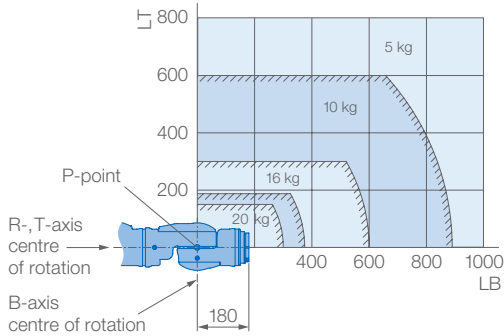
View C



Mounting options: Floor, wall, ceiling

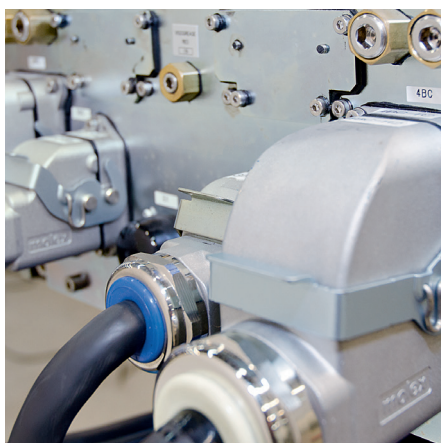
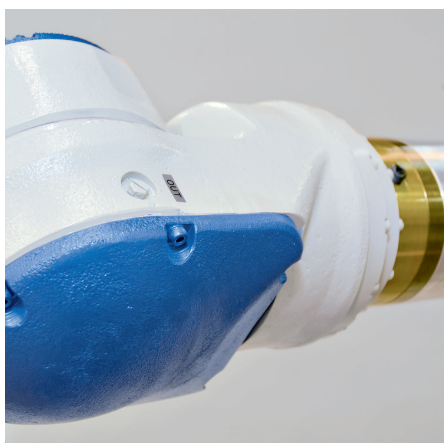
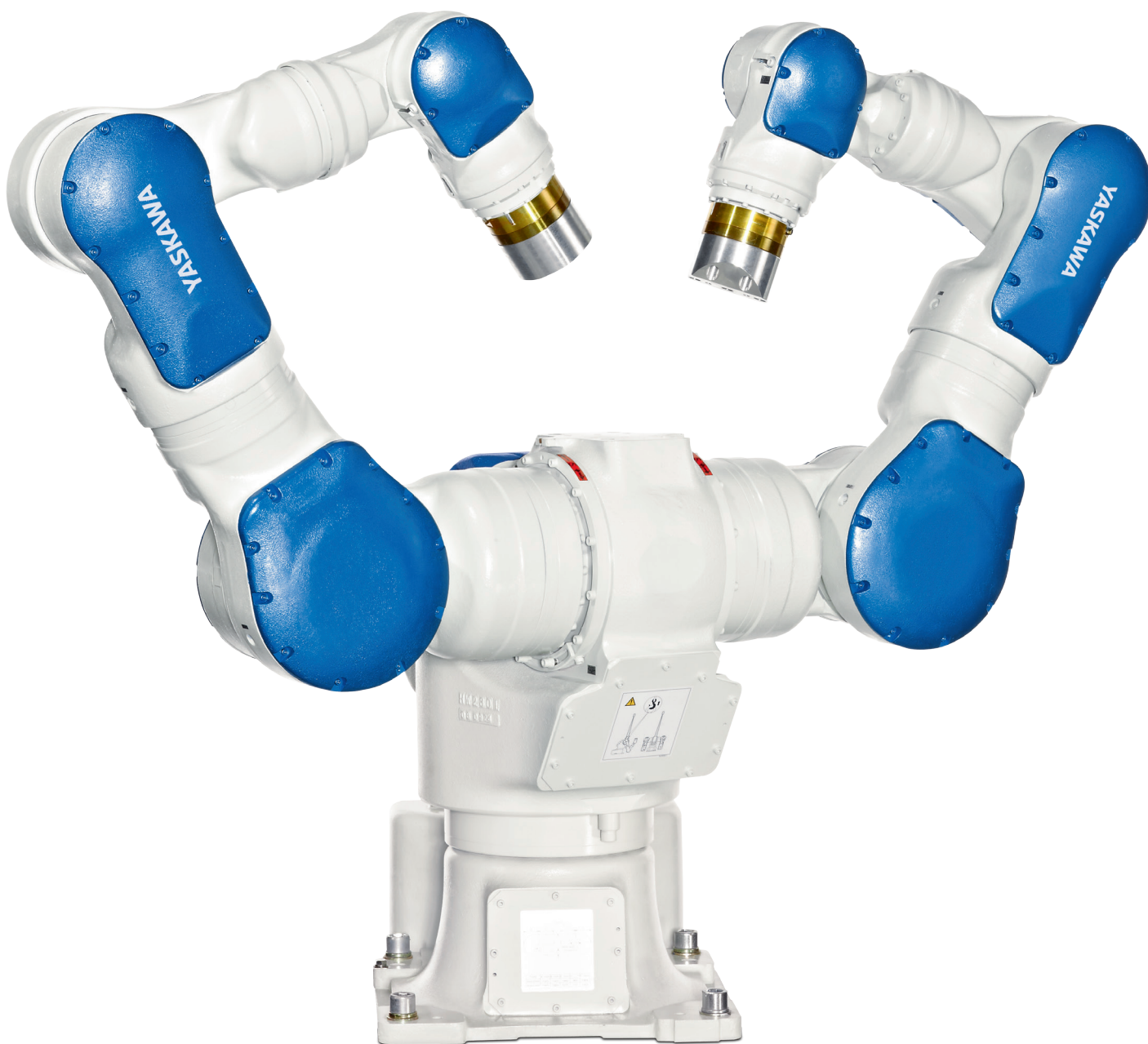


Allowable wrist load



Specifications SDA20F

Axes	Maximum motion range [°]	Maximum speed [°/sec.]	Allowable moment [Nm]	Allowable moment of inertia [kg · m <sup>2</sup> ]		
Rotation	±180	125	-	-	Controlled axes	15
S	±180	130	-	-	Max. payload [kg]	20
L	±110	130	-	-	Repeatability [mm]	±0.1
Θ	±170	170	-	-	Max. working range R [mm]	1323 / 910
U	±130	170	-	-	Temperature [°C]	0 to +40
R	±180	200	58.8	4.0	Humidity [%]	20 – 80
B	±110	200	58.8	4.0	Weight [kg]	380
T	±180	400	29.4	2.0	Power supply, average [KVA]	4.4



## YASKAWA Headquarters

YASKAWA Europe GmbH  
Robotics Division  
Yaskawastraße 1  
85391 Allershausen, Germany  
Tel. +49 (0) 8166/90-0  
Fax +49 (0) 8166/90-103

## YASKAWA ACADEMY and sales office Frankfurt

YASKAWA Europe GmbH  
Robotics Division  
Hauptstraße 185  
65760 Eschborn, Germany  
Tel. +49 (0) 6196/77725-0  
Fax +49 (0) 6196/77725-39

## YASKAWA GROUP

AT YASKAWA Austria  
Schwechat/Wien  
+43(0)1-707-9324-15

CZ YASKAWA Czech s.r.o.  
Rudná u Prahy  
+420-257-941-718

ES YASKAWA Ibérica, S.L.  
Gavà/Barcelona  
+34-93-6303478

FR YASKAWA France SARL  
Saint-Aignan-de-Grand-Lieu  
+33-2-40131919

FI YASKAWA Finland Oy  
Turku +358-(0)-403000600

GB YASKAWA UK Ltd.  
Banbury +44-1295-272755

IT YASKAWA Italia s.r.l.  
Torino +39-011-9005833

IL YASKAWA Europe Technology Ltd.  
Rosh Ha'ayin +972-3-9004114

NL YASKAWA Benelux B.V.  
Son +31-40-2895500

PL YASKAWA Polska Sp. z o.o.  
Wrocław +48-71-7928670

RU YASKAWA Nordic AB  
Moskva +46-480-417-800

SE YASKAWA Nordic AB  
Torsås +46-480-417-800

SI YASKAWA Slovenia  
Ribnica +386-1-8372-410

TR YASKAWA Turkey Elektrik  
Ticaret Ltd. Sti.  
İstanbul +90-216-5273450

ZA YASKAWA Southern Africa (PTY) Ltd  
Johannesburg +27-11-6083182

## DISTRIBUTORS

BG ARAMET ROBOTICS Ltd.  
Yambol +359-885 317 294  
Kammarton Bulgaria Ltd.  
Sofia +359-02-926-6060

CH Messer Eutectic Castolin  
Switzerland S.A.  
Dällikon +41-44-847-17-17

DK Robotcenter Danmark  
Løsning +45 7022 2477

EE RKR Seadmed OÜ  
Tallinn/Estonia +372-68-35-235

GR Gizelis Robotics  
Nea Kifissia +30-2106251455

HU Flexman Robotics Kft  
Budapest +36-30-9510065

LT Profibus UAB  
Panevezys +370-45-518575

NO Skala Robotech AS  
Lierstranda +47-32240600

PT ROBOPLAN Lda  
Aveiro +351-234 943 900

RO Sam Robotics srl  
Timisoara +40-720-279-866  
MPL Automation S.R.L.  
Satu Mare +40 (0) 261 750 741

