

MOTOMAN GP-Shelftype-series

Handling & General Applications
with the Shelftype GP-series

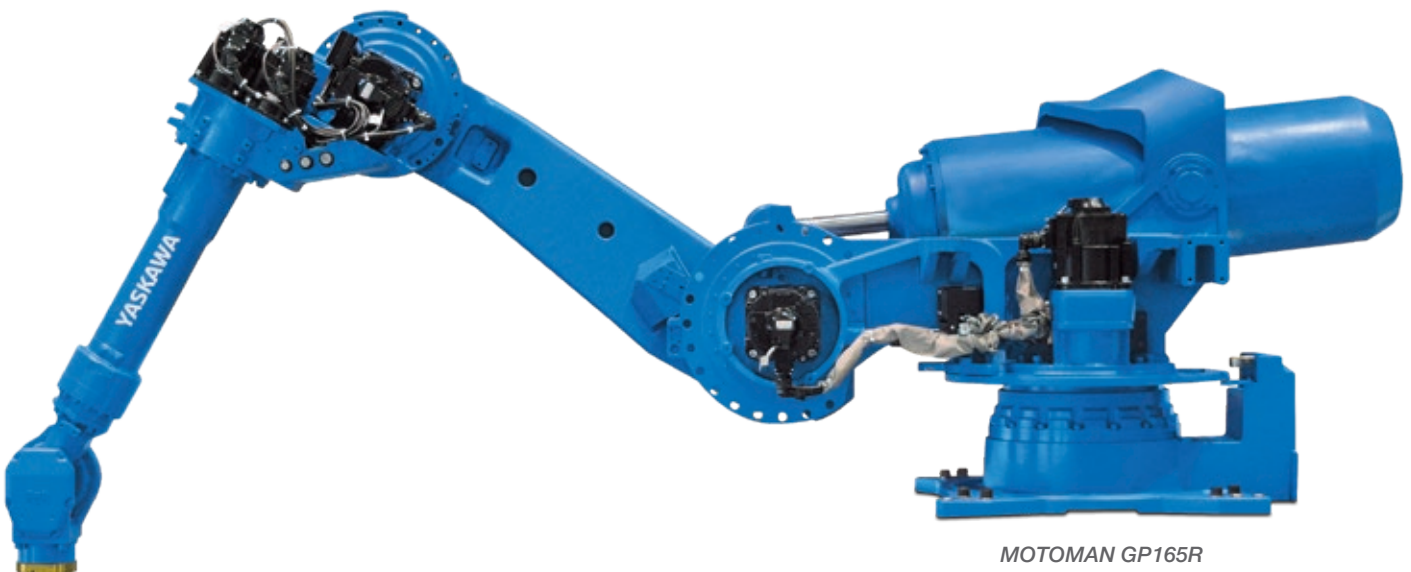
KEY BENEFITS

- Flexible and powerful (120 – 400 kg payload)
- Minimum space requirements
- Shelf-mounted:
 - Extended working range
 - Simple gripping of components
- Possibility of mounting on machine

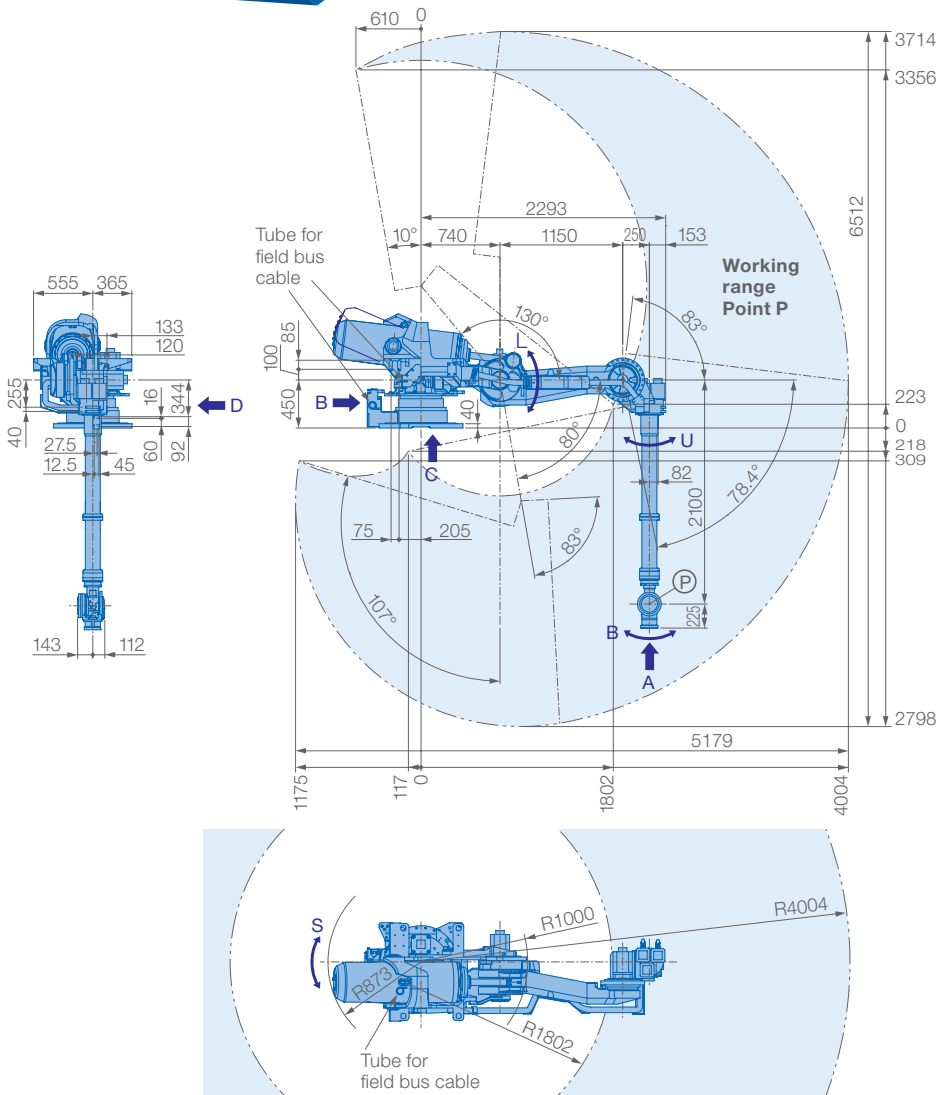
MOTOMAN GP120RL, GP165R, GP200R, GP300R and GP400R

The flexible MOTOMAN GP120RL, GP165R, GP200R, GP300R and GP400R are 6-axis shelf-mounted robots. Due to this higher position they are able to unload work pieces from above. This saves precious floor space and ensures that the space required for tool changing is kept free. Furthermore, the internal cable routing extends the service life of the robots, increases safety and reduces cycle times. These robots offer high productivity, reliability and maximum performance in the areas of handling, machine tending and press brake tending.

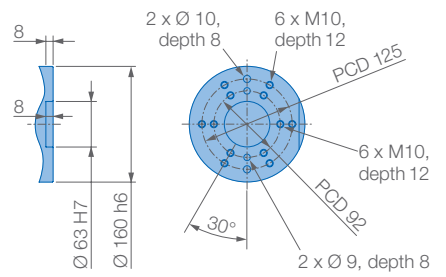
The GP-Shelftype-series are controlled by the compact high performance MOTOMAN YRC1000 controller. It is available with the optional Functional Safety Unit (FSU) that offers a wide range of new safety functions.



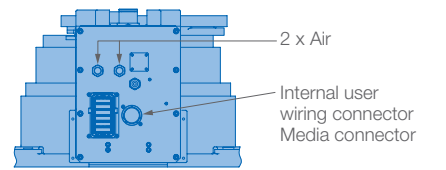
MOTOMAN GP165R



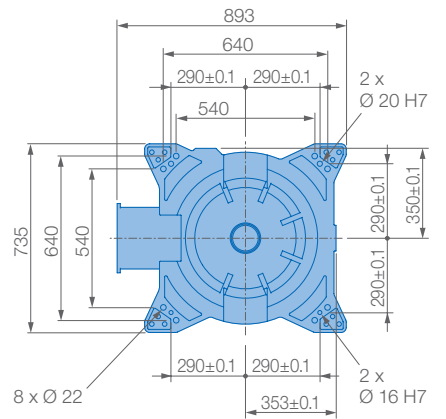
View A



View B

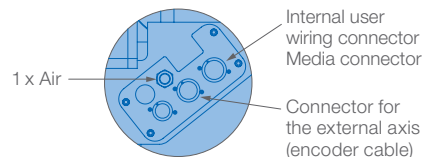


View C

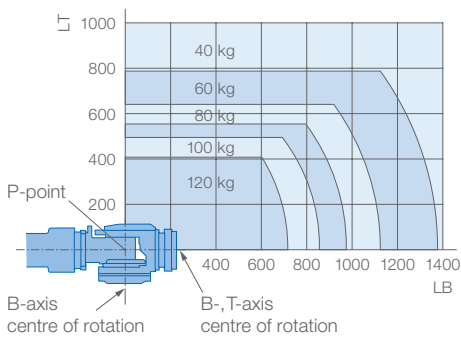


Mounting option: Shelf-mounted
Protection class: IP54/67

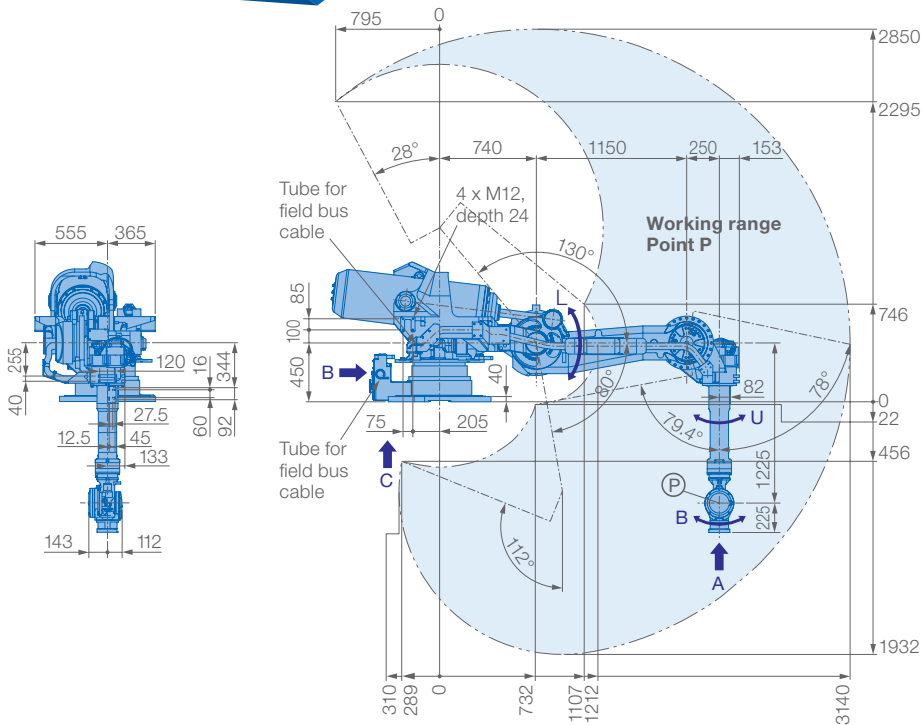
View D



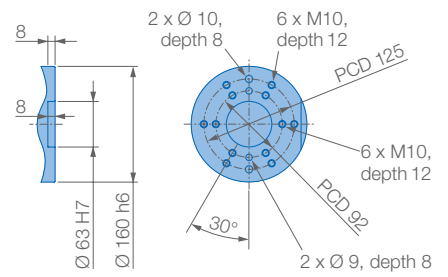
Allowable wrist load



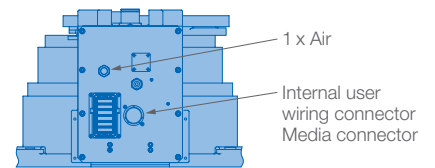
Specifications GP120RL						
Axes	Maximum motion range [°]	Maximum speed [°/s]	Allowable moment [Nm]	Allowable moment of inertia [kg · m ²]	Controlled axes	6
S	±180	90	-	-	Max. payload [kg]	120
L	+80/-130	85	-	-	Repeatability [mm]	±0.2
U	+90/-78.4	85	-	-	Max. working range R [mm]	4004
R	±360	175	833	75	Temperature [°C]	0 to +45
B	±130	150	833	75	Humidity [%]	20 - 80
T	±360	240	490	25	Weight [kg]	1830
					Power supply, average [kVA]	5



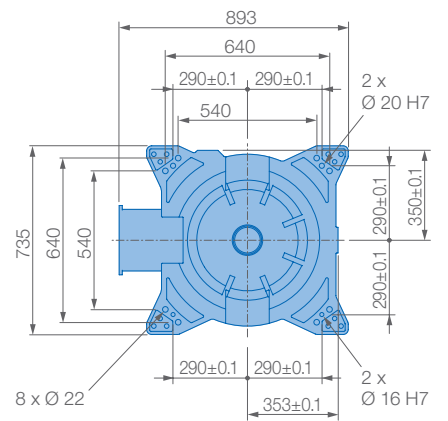
View A



View B



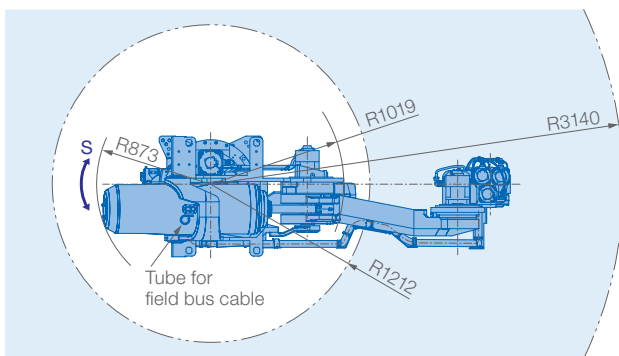
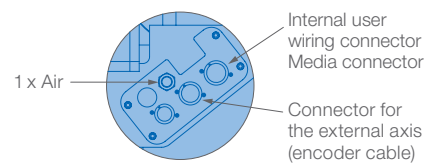
View C



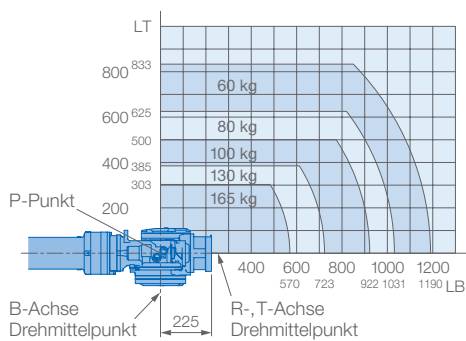
Mounting option: Shelf-mounted

Protection class: IP54/67

View D

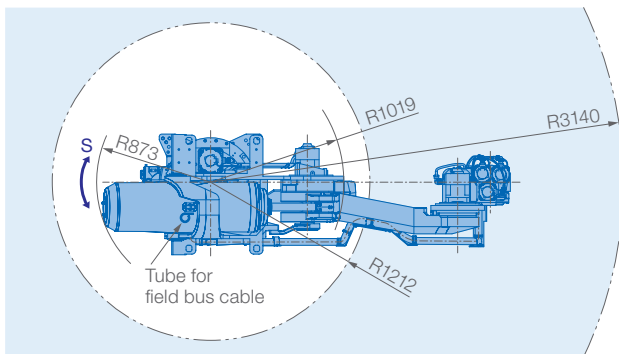
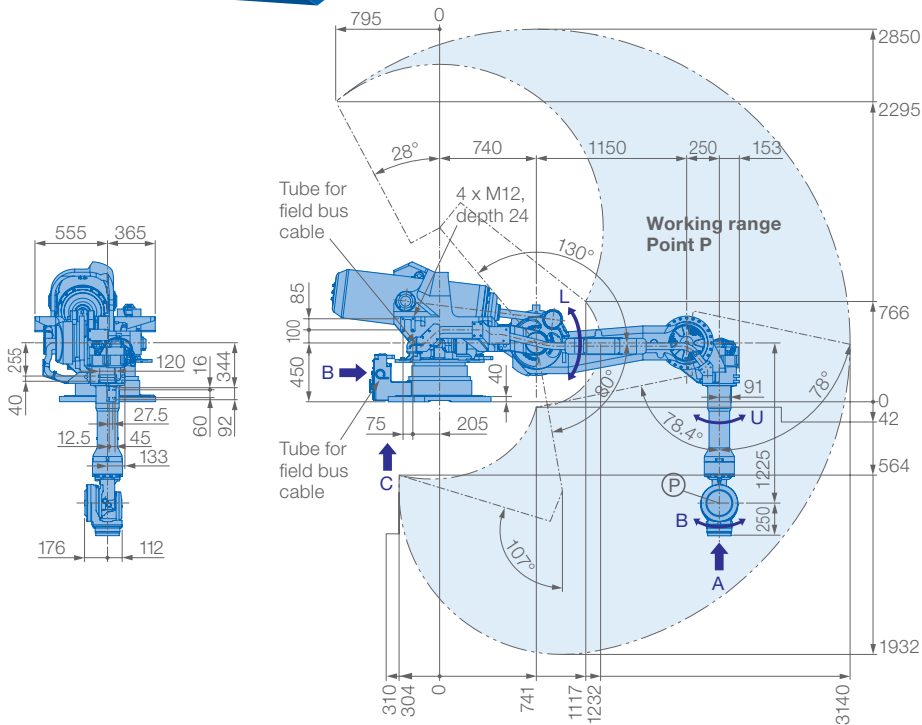


Allowable wrist load

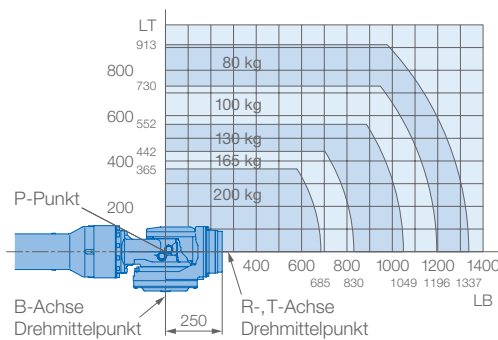


Specifications GP165R

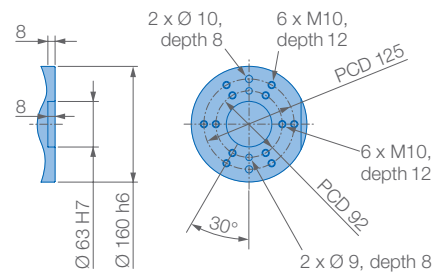
Axes	Maximum motion range [°]	Maximum speed [°/s]	Allowable moment [Nm]	Allowable moment of inertia [kg · m ²]	Controlled axes	6
S	±180	105	–	–	Max. payload [kg]	165
L	+80/–130	105	–	–	Repeatability [mm]	±0.05
U	+78/–79.4	105	–	–	Max. working range R [mm]	3143
R	±360	175	921	85	Temperature [°C]	0 to +45
B	±130	150	921	85	Humidity [%]	20 – 80
T	±360	240	490	45	Weight [kg]	1760
					Power supply, average [kVA]	5



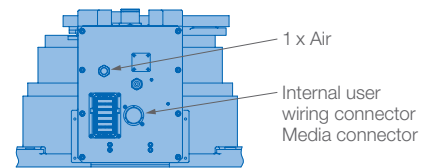
Allowable wrist load



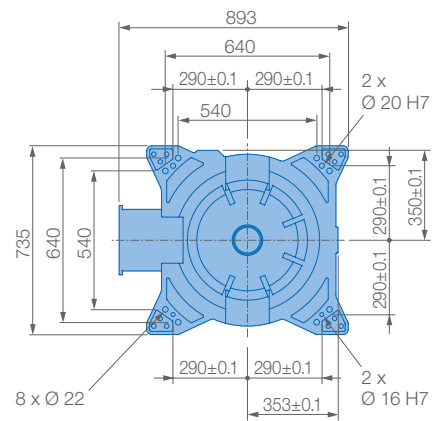
View A



View B



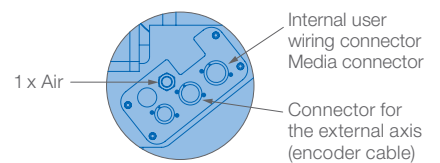
View C



Mounting option: Shelf-mounted

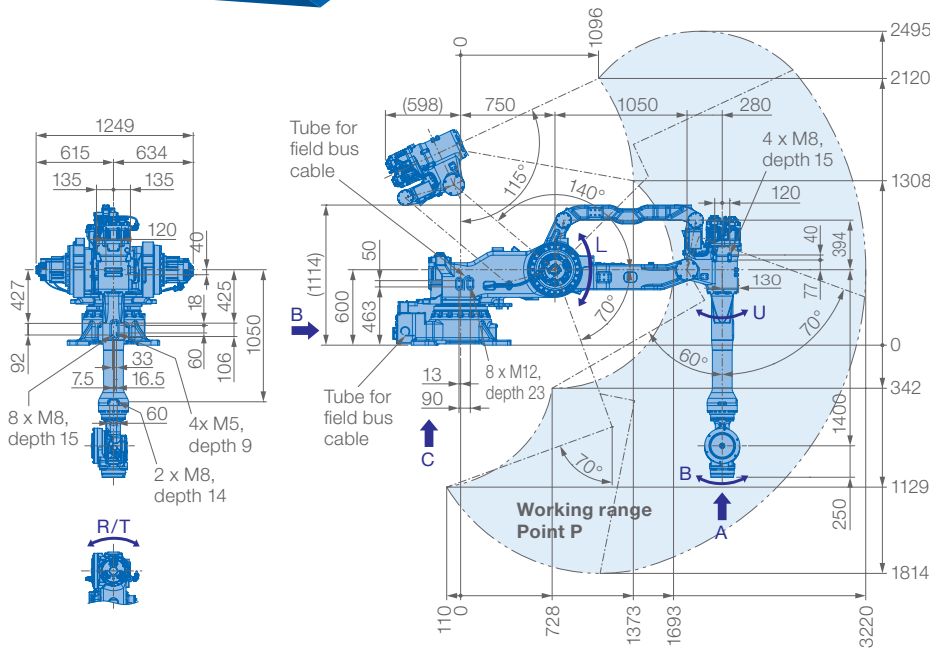
Protection class: IP54/67

View D

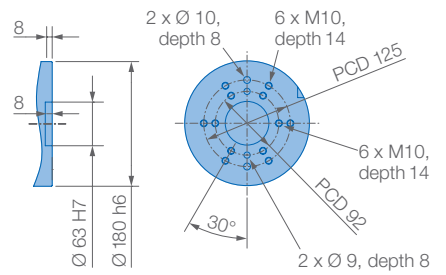


Specifications GP200R

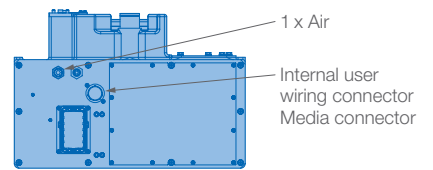
Axes	Maximum motion range [°]	Maximum speed [°/s]	Allowable moment [Nm]	Allowable moment of inertia [kg · m ²]	Controlled axes	6
S	±180	90	–	–	Max. payload [kg]	200
L	+80/–130	85	–	–	Repeatability [mm]	±0,05
U	+78/–78.4	85	–	–	Max. working range R [mm]	3140
R	±360	120	1344	143	Temperature [°C]	0 to +45
B	±125	120	1344	143	Humidity [%]	20 – 80
T	±360	190	715	80	Weight [kg]	1830
					Power supply, average [kVA]	5



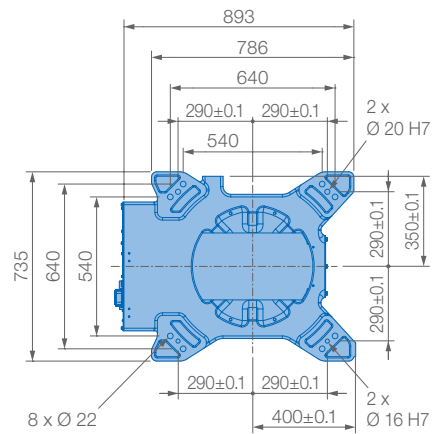
View A



View B

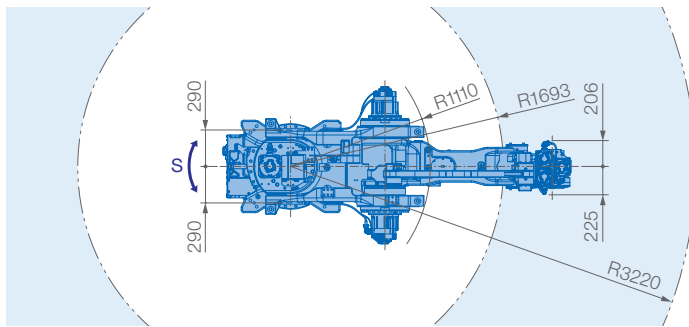
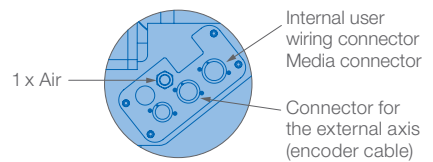


View C

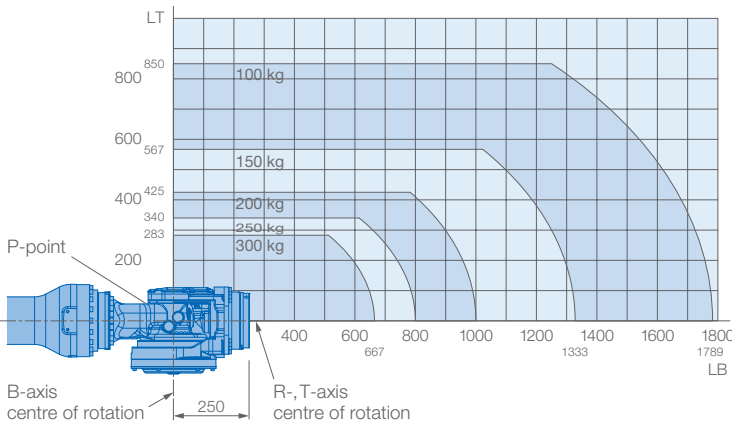


Mounting option: Shelf-mounted
Protection class: IP54/67

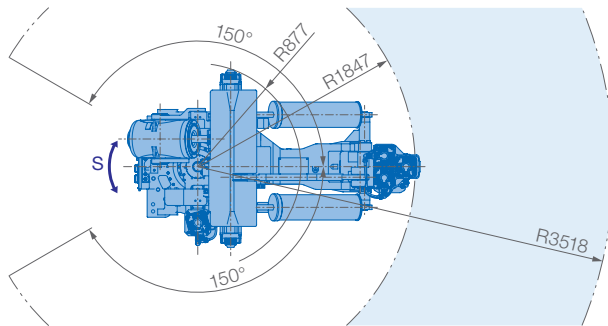
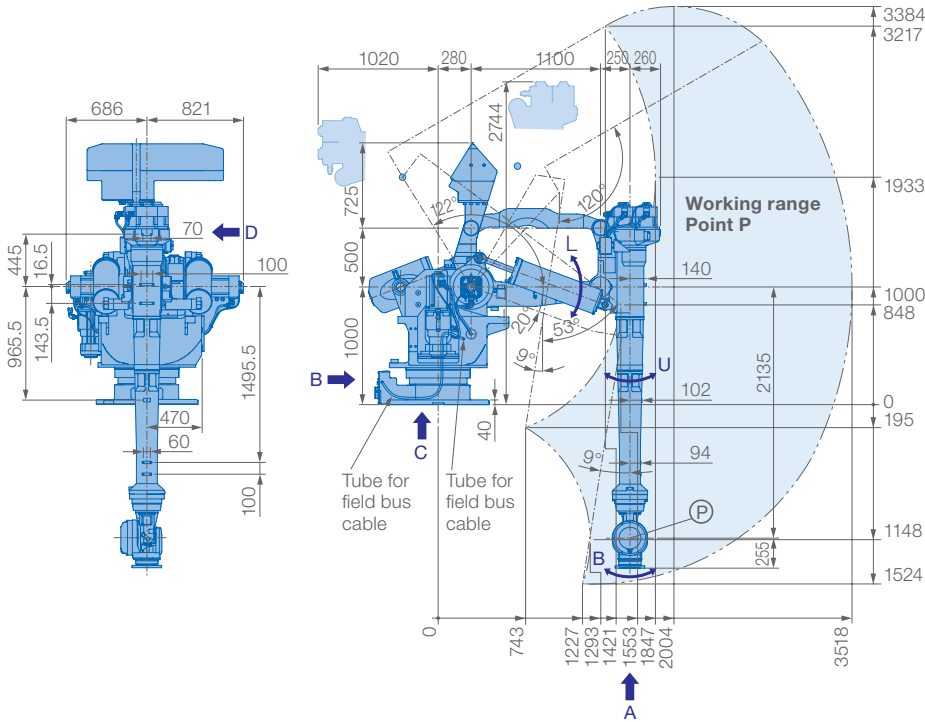
View D



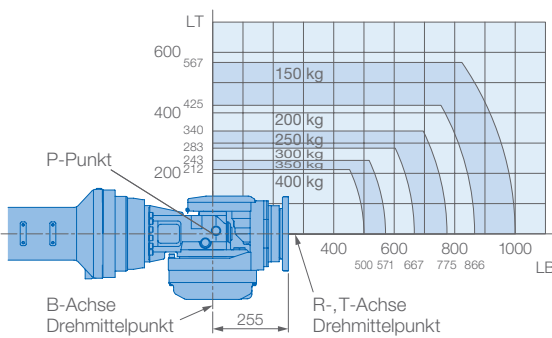
Allowable wrist load



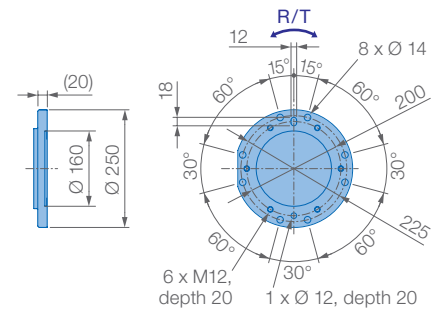
Specifications GP300R					
Axes	Maximum motion range [°]	Maximum speed [°/s]	Allowable moment [Nm]	Allowable moment of inertia [kg · m ²]	Controlled axes
S	±180	110	-	-	6
L	+70/-140	95	-	-	Max. payload [kg]
U	+115/-70	95	-	-	Repeatability [mm]
R	±360	120	1962	320	Max. working range R [mm]
B	±125	120	1962	320	Temperature [°C]
T	±360	190	834	200	Humidity [%]
					Weight [kg]
					Power supply, average [kVA]



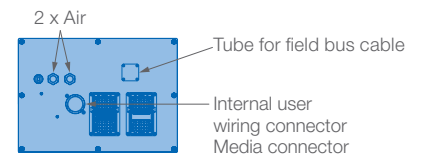
Allowable wrist load



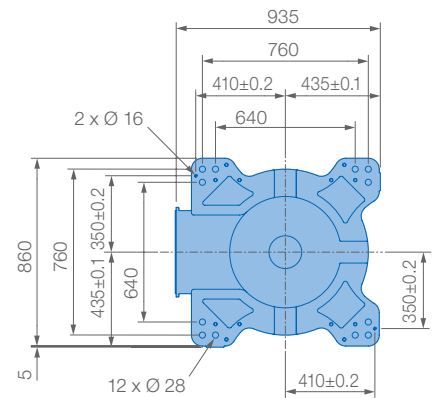
View A



View B

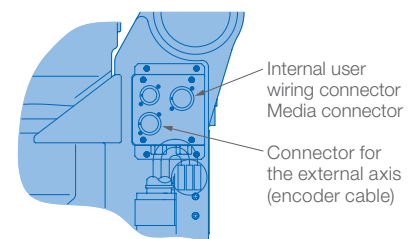


View C



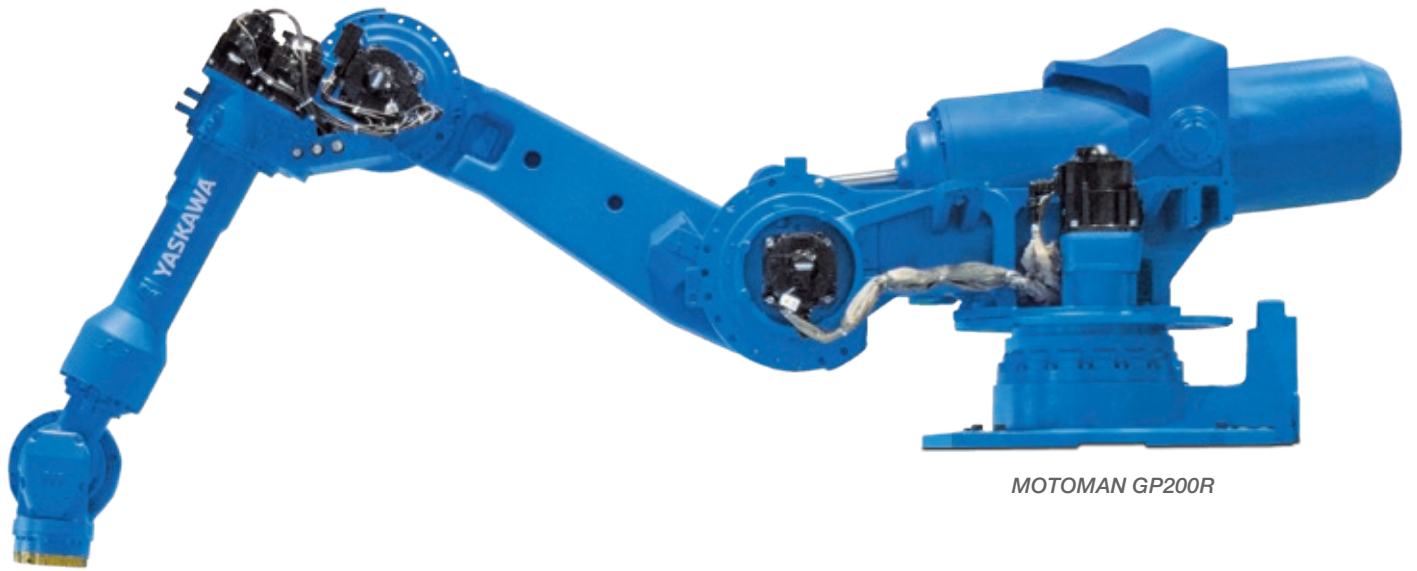
Mounting option: Shelf-mounted
Protection class: IP54/67

View D

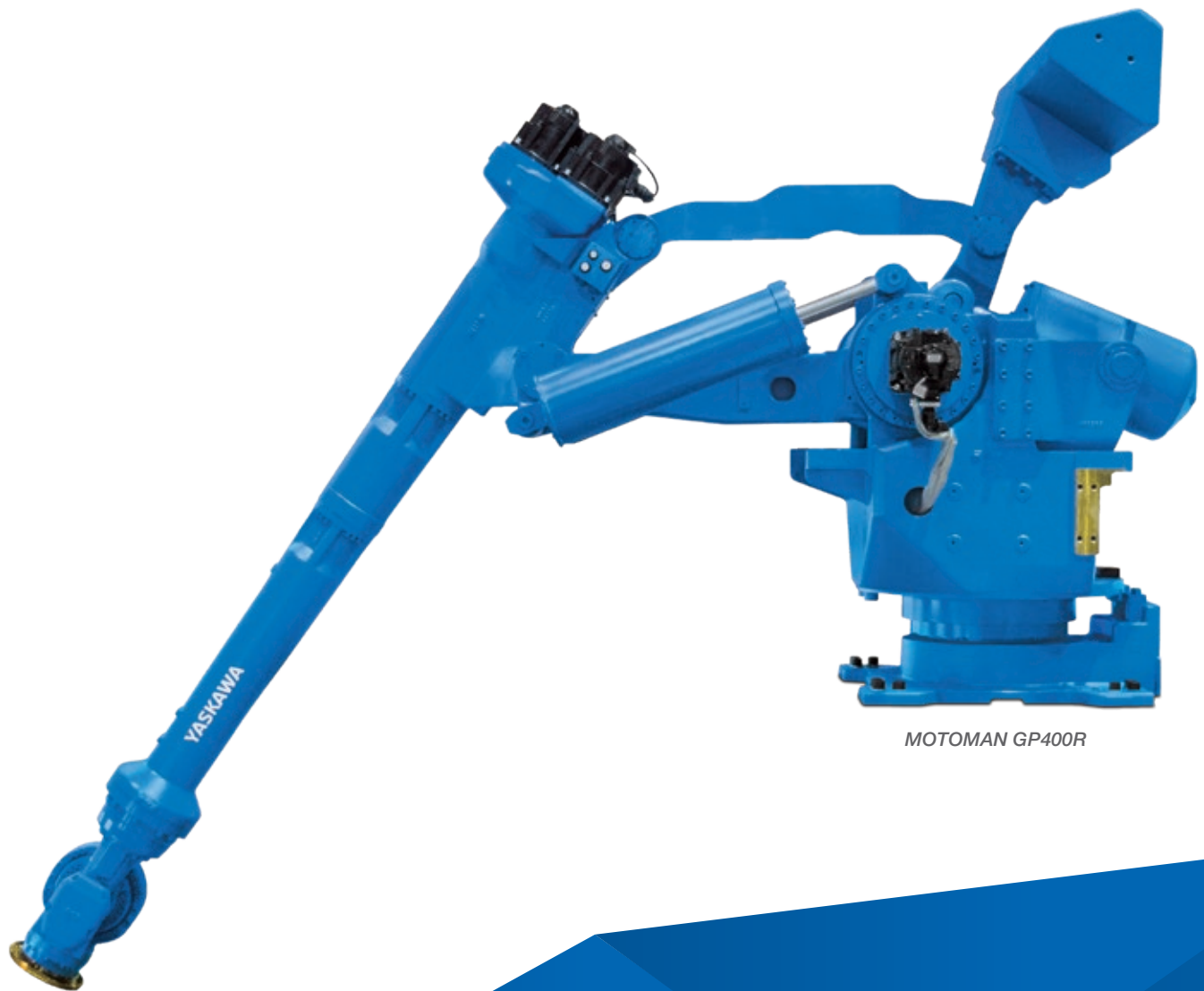


Specifications GP400R

Axes	Maximum motion range [°]	Maximum speed [°/s]	Allowable moment [Nm]	Allowable moment of inertia [kg · m ²]	Controlled axes	6
S	±150	80	-	-	Max. payload [kg]	400
L	+20/-122	80	-	-	Repeatability [mm]	±0.1
U	+120/-9	80	-	-	Max. working range R [mm]	3518
R	±360	80	1960	150	Temperature [°C]	0 to +45
B	±120	80	1960	150	Humidity [%]	20 - 80
T	±360	160	833	50	Weight [kg]	3560
					Power supply, average [kVA]	7,0



MOTOMAN GP200R



MOTOMAN GP400R

YASKAWA GROUP

- AT Yaskawa Austria
Schwechat/Wien
+43(0)1-707-9324-15
- CZ Yaskawa Czech s.r.o.
Rudná u Prahy +420-257-941-718
- DK Yaskawa Danmark
Løsning +45 7022 2477
- ES Yaskawa Ibérica, S.L.
Gavà/Barcelona +34-93-6303478
- FR Yaskawa France SARL
Le Bignon +33-2-40131919
- FI Yaskawa Finland Oy
Turku +358-(0)-403000600
- GB Yaskawa UK Ltd.
Banbury +44-1295-272755
- IT Yaskawa Italia s.r.l.
Torino +39-011-9005833
- IL Yaskawa Europe Technology Ltd.
Rosh Ha'ayin +972-3-9004114
- NL Yaskawa Benelux B.V.
Eindhoven +31-40-2895500
- PL Yaskawa Polska Sp. z o.o.
Wrocław +48-71-7928670
- RU Yaskawa Europe Holding AB
Moskva +46-480-417-800
- SE Yaskawa Nordic AB
Torsås +46-480-417-800
- SI Yaskawa Slovenia
Ribnica +386-1-8372-410
- TR Yaskawa Turkey Elektrik
Ticaret Ltd. Sti.
İstanbul +90-216-5273450
- ZA Yaskawa Southern Africa (PTY) Ltd
Johannesburg +27-11-6083182

DISTRIBUTORS

- BG ATRI ROBOTICS Ltd.
Stara Zagora +359 899 625 160
Kammarton Bulgaria Ltd.
Sofia +359-02-926-6060
- EE RKR Seadmed OÜ
Tallinn/Estonia +372-68-35-235
- GR Gizelis Robotics
Schimatari Viotias +30-2262057199
- HU Flexman Robotics Kft
Budapest +36 1 259 0981
- LT Profibus UAB
Panevezys +370-45-518575
- NO Skala Robotech AS
Lierstranda +47-32240600
- PT ROBOPLAN Lda
Aveiro +351-234 943 900
- RO NORMANDIA S.R.L.
Braşov +40 268 549 236



Yaskawa Headquarters

Yaskawa Europe GmbH
Robotics Division
Yaskawastraße 1
85391 Allershausen, Germany
Tel. +49 (0) 8166/90-0
Fax +49 (0) 8166/90-103

Yaskawa Academy and sales office Frankfurt

Yaskawa Europe GmbH
Robotics Division
Hauptstraße 185
65760 Eschborn, Germany
Tel. +49 (0) 6196/77725-0
Fax +49 (0) 6196/77725-39

robotics@yaskawa.eu
www.yaskawa.eu

All drawing dimensions in mm.
Technical data may be subject to change without previous notice.
Please request detailed drawings at robotics@yaskawa.eu.

YR-1-06VRL120-A00, YR-1-06VR165-A00, YR-1-06VR200-A00,
YR-1-06VR300-A20, YR-1-06VR400-A00
MOTOMAN GP-Shelltype-series
D-03-2022, A-No. 205240

YASKAWA