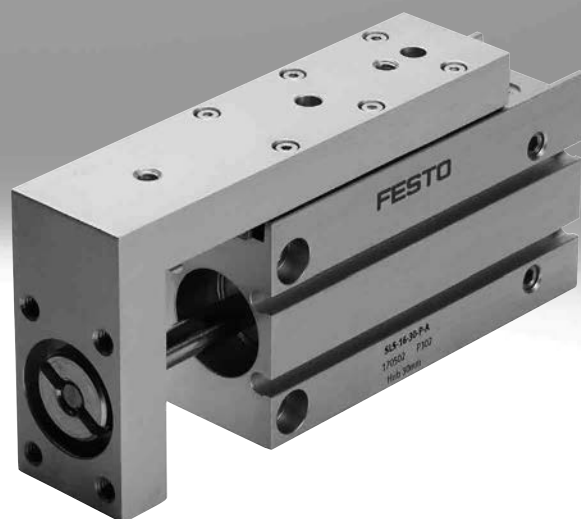


Mini slides SLS/SLF

FESTO



Key features

General

- Double-acting drives
- Precise and rigid guide
- Versatile air connections
- Sensors can be integrated
- Highly flexible thanks to versatile assembly and mounting options on:
 - Drive body
 - Slide
 - Yoke plate

Mini slide SLS



- Slim design
- Integrated end-position cushioning:
 - Elastic cushioning components

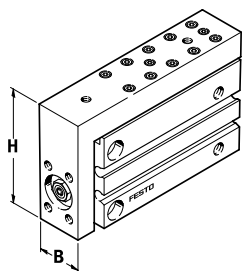
Mini slide SLF



- Flat design
- Adjustable end-position cushioning
 - Elastic cushioning components
- Versatile combination options on:
 - Drives
- System product for handling and assembly technology

The slim mini slide

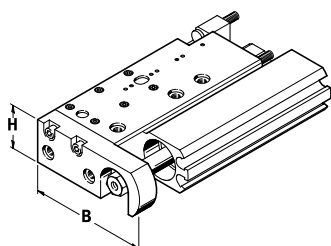
SLS



Piston diameter		Width (W)	x	Height (H)
6 mm	16	x	39 mm	
10 mm	20	x	45 mm	
16 mm	24	x	51 mm	

The flat mini slide

SLF

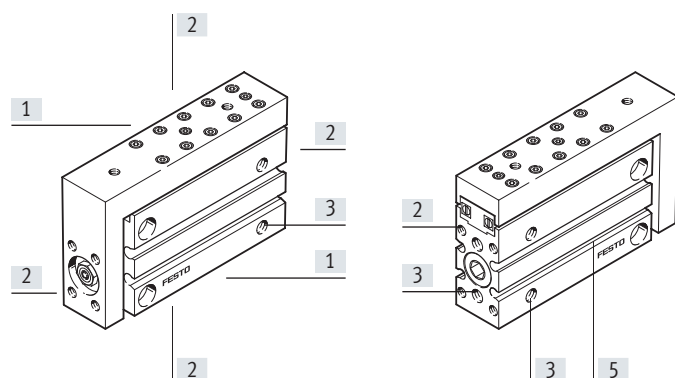


Piston diameter		Width (W)	x	Height (H)
6 mm	46	x	11 mm	
10 mm	48	x	15 mm	
16 mm	62	x	21 mm	

Key features

Versatile

Mini slide SLS



[1] Mounting surface:

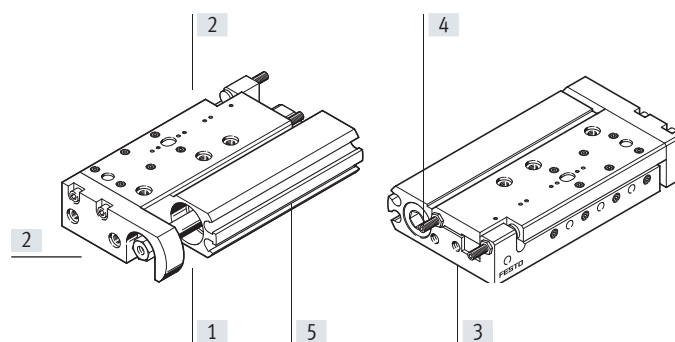
The drive can be directly attached via through-holes or threaded holes (with appropriate screws and centring sleeves ZBH).

[2] Mounting surface:

Devices and loads can be directly attached via threaded holes in the slide and the yoke plate (with appropriate screws and centring sleeves ZBS/ZBH).

[3] Versatile air connections

Mini slide SLF



[4] Adjustable end-position cushioning systems on SLF-...-P-A with elastic cushioning components in the end positions

[5] Sensors can be integrated

Sensor slots for one or more proximity switches SME/SMT-10.

For space-saving, reliable sensing of piston positions. Proximity switches can be freely moved and clamped in the sensor slots provided.

Type codes

001	Series
SLS	Mini slide, double-acting

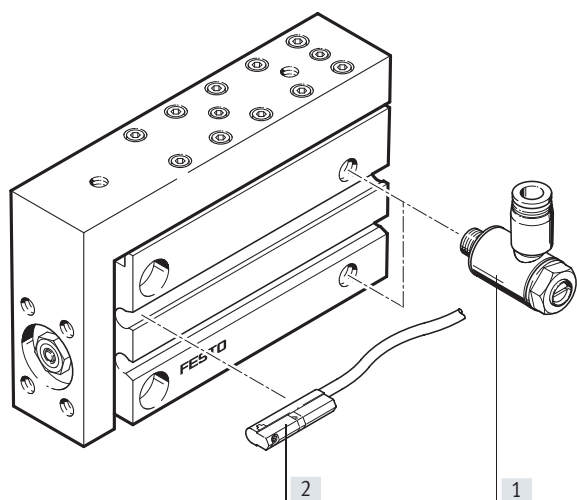
002	Size
6	6
10	10
16	16

003	Stroke
5	5
10	10
15	15
20	20
25	25
30	30

004	Cushioning
P	Elastic cushioning rings/plates on both sides

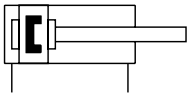
005	Position sensing
A	For proximity sensor

Peripherals overview



Accessories		Description	→ Page/Internet
[1]	One-way flow control valve GRLA	For speed regulation	22
	Push-in fitting QS	For connecting compressed air tubing with standard outside diameters	qs
[2]	Proximity switch SME/SMT-10	Sensor slots for one or several proximity switches	22

Data sheet



www.festo.com



- Diameter
6 ... 16 mm
- Stroke length
5 ... 30 mm

General technical data				
Piston diameter	6		10	16
Pneumatic connection	M5			
Design	Piston, piston rod, slide, yoke, ball bearing cage guide			
Guide	Ball bearing-guided			
Cushioning	Non-adjustable at both ends			
Position sensing	For proximity switch			
Type of mounting	With through-hole With female thread			
Mounting position	Any			
Max. advancing speed	[m/s]	0.5 ¹⁾	0.8	
Max. retracting speed	[m/s]	0.5 ¹⁾	0.8	

1) Must be throttled externally.

Operating and environmental conditions				
Piston diameter	6		10	16
Operating medium	Compressed air to ISO 8573-1:2010 [7:4:4]			
Note on the operating/pilot medium	Lubricated operation possible (in which case lubricated operation will always be required)			
Operating pressure	[bar]	1.5 ... 10	1 ... 10	
Ambient temperature ¹⁾	[°C]	-20 ... +60		

1) Note operating range of proximity switches.

Forces [N] and impact energy [Nm]				
Piston diameter	6		10	16
Theoretical force at 6 bar, advancing	17		47	121
Theoretical force at 6 bar, retracting	13		39	104
Max. impact energy at the end positions ¹⁾	Cushioning P ²⁾	0.008	0.05	0.15

1) Loads moved by the slides must be taken into consideration when calculating the end-position cushioning energy.

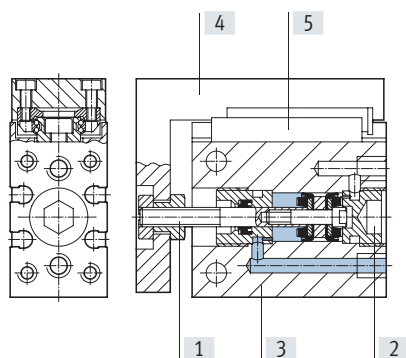
2) Note also the graph illustrating piston speed as a function of payload → page 8

Data sheet

Weights [g]				
Piston diameter	Stroke	6	10	16
Product weight	5	97	130	225
	10	104	139	226
	15	113	149	256
	20	120	164	257
	25	131	182	291
	30	141	191	301
Moving mass	5	28	41	92
	10	28	44	92
	15	32	49	100
	20	33	51	101
	25	37	60	111
	30	38	62	115

Materials

Sectional view



Mini slide

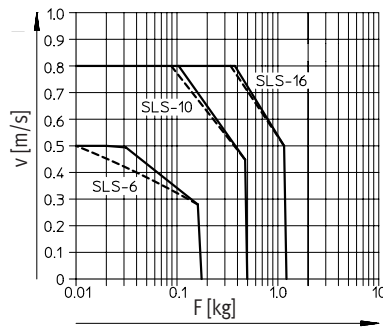
[1]	Piston rod	High-alloy steel
[2]	Cover	Anodised wrought aluminium alloy
[3]	Housing	Anodised wrought aluminium alloy
[4]	Slide	Anodised wrought aluminium alloy
[5]	Guide	Tempered steel
-	Seals	Thermoplastic rubber, hydrogenated nitrile rubber, nitrile rubber
	Note on materials	Free of copper and PTFE

Data sheet

Piston speed v as a function of payload m

SLS-6/-10/-16-...-P-A

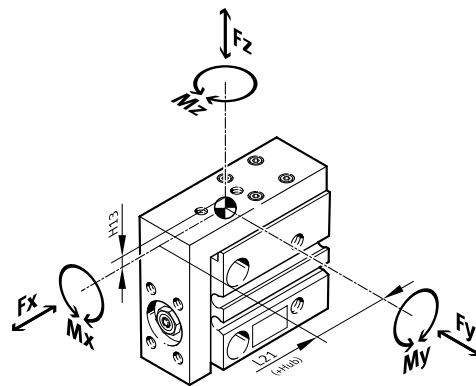
The piston speed as a function of payload illustrated in this graph must not be exceeded as the kinetic impact or residual energy in the end positions can result in damage to the drive.



— Min. stroke
- - - - - Max. stroke

Dynamic characteristic load values

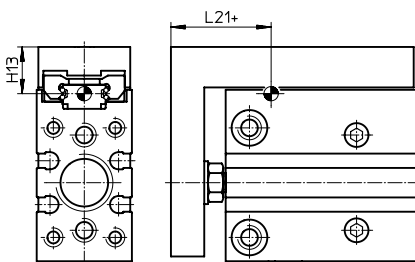
The indicated torques refer to the centre of the guide.
These values must not be exceeded during dynamic operation. Special attention must be paid to the deceleration phase.



If the drive is simultaneously subjected to several of the forces and torques indicated below, the following equation must be satisfied in addition to the indicated maximum loads:

$$f_v = \frac{|F_{y1}|}{F_{y2}} + \frac{|F_{z1}|}{F_{z2}} + \frac{|M_{x1}|}{M_{x2}} + \frac{|M_{y1}|}{M_{y2}} + \frac{|M_{z1}|}{M_{z2}} \leq 1$$

Position of the guide centre



+ plus stroke length

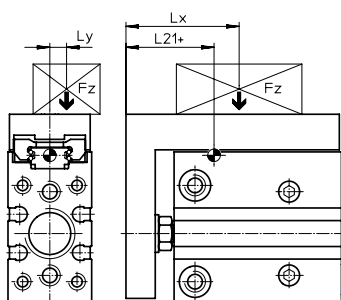
Data sheet

Permissible forces and torques						Geometric characteristics	
Piston diameter	Stroke	$F_{y\max}$ [N]	$F_{z\max}$ [N]	$M_{x\max}$, $M_{y\max}$ [Nm]	$M_{z\max}$ [Nm]	H13 [mm]	L21 [mm]
6							
	5	220	220	0.6	0.5	8.5	20.5
	10	170	170	0.6	0.5		20.5
	15	180	180	0.9	0.6		23
	20	160	160	0.9	0.6		23
	25	150	150	0.9	0.6		23
	30	140	140	0.9	0.6		23
10							
	5	220	220	0.6	0.5	10	27.5
	10	170	170	0.6	0.5		27.5
	15	170	170	1.1	0.7		36
	20	150	150	1.1	0.7		36
	25	140	140	1.1	0.7		36
	30	130	130	1.1	0.7		36
16							
	5	590	590	2.1	1.6	11	30.5
	10	470	470	2.1	1.6		30.5
	15	410	410	1.7	1.3		30.5
	20	370	370	1.7	1.3		30.5
	25	410	410	2.5	1.4		34
	30	390	390	2.5	1.4		34

Calculation example

Given:

To be calculated:



Mini slide = SLS-10

Stroke length =

20 mm

Lever arm L_x = 5 mmLever arm L_y = 20 mmMass $F_z = 0.495$ kgAcceleration $a = 0$ m/s² F_y, F_z, M_x, M_y, M_z

and

verification of operation with
combined load

Solution:

 $L_{21} = 36$ mm from table

$$F_y = 0 \text{ N}$$

$$F_z = m \times g \\ = 0.495 \text{ kg} \times 9.81 \text{ m/s}^2 = 4.856 \text{ N}$$

$$M_x = m \times g \times L_y \\ = 0.495 \text{ kg} \times 9.81 \text{ m/s}^2 \times 20 \text{ mm} = 0.097 \text{ Nm}$$

$$M_y = m \times g \times [(L_{21} + \text{Hub}) - L_x] \\ = 0.495 \text{ kg} \times 9.81 \text{ m/s}^2 [(36 \text{ mm} + 20 \text{ mm}) - 5 \text{ mm}] = 0.248 \text{ Nm}$$

$$M_z = 0 \text{ Nm}$$

Combined load:

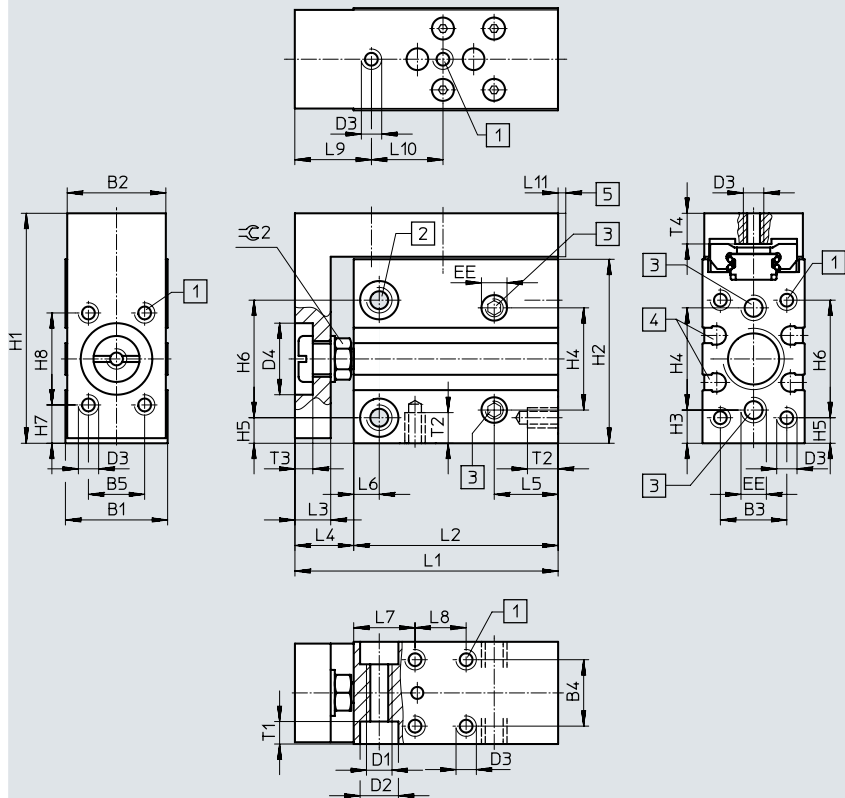
$$f_v = \frac{|F_{y1}|}{F_{y2}} + \frac{|F_{z1}|}{F_{z2}} + \frac{|M_{x1}|}{M_{x2}} + \frac{|M_{y1}|}{M_{y2}} + \frac{|M_{z1}|}{M_{z2}} \leq 1$$

$$= 0 + \frac{4,856 \text{ N}}{150 \text{ N}} + \frac{0,097 \text{ Nm}}{1,1 \text{ Nm}} + \frac{0,248 \text{ Nm}}{1,1 \text{ Nm}} + 0 = 0,345 \leq 1$$

Data sheet

Dimensions

Download CAD data → www.festo.com



- [1] Mounting thread
- [2] Through-holes and threaded holes for mounting the drive
- [3] Compressed air supply ports
- [4] Sensor slot for proximity switch SME/SMT-10
- [5] Possible protrusion of the slide in relation to the edge of the housing

∅	Stroke	B1	B2	B3	B4	B5	D1	D2	D3	D4	EE	H1
[mm]	[mm]	+0.4						∅		∅		
6	5	16	15.3	10.5	10	9	M4	6	M3	12	M5	39
	10											
	15											
	20											
	25											
10	5	20	19.3	13	13	11	M5	7.5	M4	14	M5	45
	10											
	15											
	20											
	25											
16	5	24	23.3	17	17	16	M5	7.5	M4	19.5	M5	51
	10											
	15											
	20											
	25											
30												

Data sheet

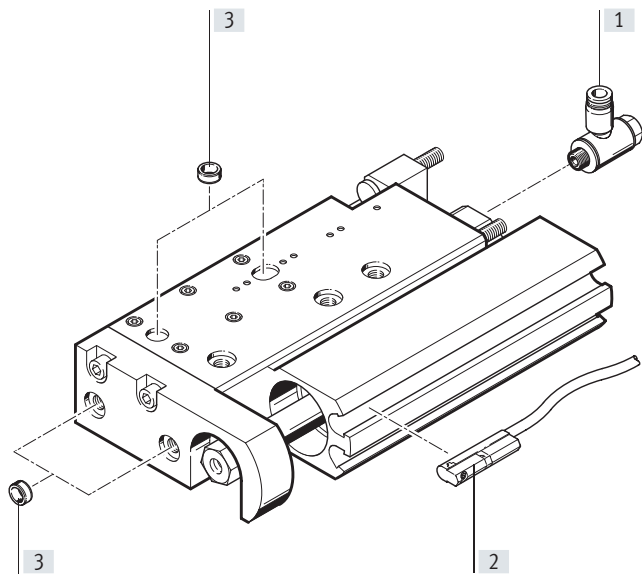
∅ [mm]	Stroke [mm]	H2	H3	H4	H5	H6	H7	H8	L1	L2	L3	L4	L5
6	5	31	6	17	5	19	7	15	46	37.5	6	8.5	10
	10								51	42.5			
	15								56	47.5			
	20								61	52.5			
	25								66	57.5			
	30								71	62.5			
10	5	36	6.5	20	5	23	7.5	18	51.5	40	7	11.5	12.5
	10								56.5	45			
	15								61.5	50			
	20								66.5	55			
	25								73.5	62			
	30								78.5	67			
16	5	41	6.5	25	5.5	27	6	26	66	52	10	14	12.5
	10								76	62			
	15								86	72			
	20								91	77			
	25												
	30												

∅ [mm]	Stroke [mm]	L6	L7	L8	L9	L10	L11	T1	T2	T3	T4	⌀ 2
6	5	4	10	10	13	20	-	3.3	4.8	3	5	7
	10			15		25						
	15			20		30						
	20			25		40						
	25			30								
	30			35								
10	5	5	12	10	15	14	Max. 0.75	4.4	6	3.5	6	8
	10			14		19						
	15			18		25						
	20			24		30						
	25			32		40						
	30			35		45						
16	5	5	12	20	18	24	Max. 0.75	4.4	6	5	6	13
	10			20		35						
	15			30		45						
	20					50						
	25			40								
	30			45		55						

Data sheet

Ordering data			
∅ [mm]	Stroke [mm]	Part no.	Type
6			
	5	170485	SLS-6-5-P-A
	10	170486	SLS-6-10-P-A
	15	170487	SLS-6-15-P-A
	20	170488	SLS-6-20-P-A
	25	170489	SLS-6-25-P-A
	30	170490	SLS-6-30-P-A
10			
	5	170491	SLS-10-5-P-A
	10	170492	SLS-10-10-P-A
	15	170493	SLS-10-15-P-A
	20	170494	SLS-10-20-P-A
	25	170495	SLS-10-25-P-A
	30	170496	SLS-10-30-P-A
16			
	5	170497	SLS-16-5-P-A
	10	170498	SLS-16-10-P-A
	15	170499	SLS-16-15-P-A
	20	170500	SLS-16-20-P-A
	25	170501	SLS-16-25-P-A
	30	170502	SLS-16-30-P-A

Peripherals overview



Note
End stops must not be removed.

Accessories		Description	→ Page/Internet
[1]	One-way flow control valve GRLA	For speed regulation	22
	Push-in fitting QS	For connecting compressed air tubing with standard outside diameters	qs
[2]	Proximity switch SME/SMT-10	Sensor slots for one or several proximity switches	22
[3]	Centring pin/sleeve ZBS/ZBH	For centring loads and attachments	22

Type codes

001	Series
SLF	Mini slide, double-acting

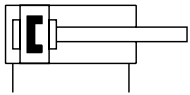
002	Size
6	6
10	10
16	16

003	Stroke
10	10
20	20
30	30
40	40
50	50
80	80

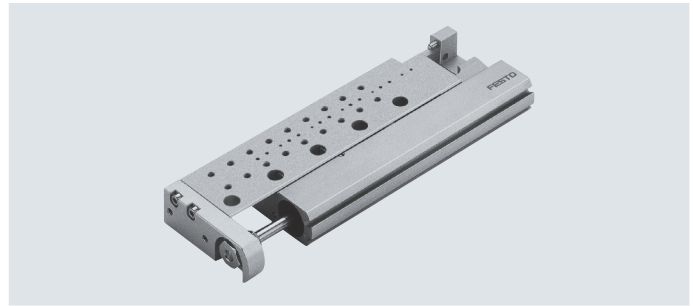
004	Cushioning
P	Elastic cushioning rings/plates on both sides

005	Position sensing
A	For proximity sensor

Data sheet



www.festo.com



- Diameter
6 ... 16 mm
- Stroke length
10 ... 80 mm

General technical data				
Piston diameter		6	10	16
Pneumatic connection		M5		
Design		Piston, piston rod, slide, yoke, ball bearing cage guide		
Guide		Ball bearing-guided		
Cushioning		Non-adjustable at both ends		
Position sensing		For proximity switch		
Type of mounting		With through-hole With female thread		
Mounting position		Any		
Adjustable end-position range	Per end stop	[mm]	5	
Max. advancing speed		[m/s]	0.5 ¹⁾	0.8
Max. retracting speed		[m/s]	0.5 ¹⁾	0.8

1) Must be throttled externally.

Operating and environmental conditions				
Piston diameter		6	10	16
Operating medium		Compressed air to ISO 8573-1:2010 [7:4:4]		
Note on the operating/pilot medium		Lubricated operation possible (in which case lubricated operation will always be required)		
Operating pressure		[bar]	1.5 ... 10	1 ... 10
Ambient temperature ¹⁾		[°C]	-20 ... +60	

1) Note operating range of proximity switches.

Forces [N] and impact energy [Nm]				
Piston diameter		6	10	16
Theoretical force at 6 bar, advancing		17	47	121
Theoretical force at 6 bar, retracting		13	40	104
Max. impact energy at the end positions ¹⁾	Cushioning P ²⁾	0.016	0.05	0.1

1) Loads moved by the slides must be taken into consideration when calculating the end-position cushioning energy.

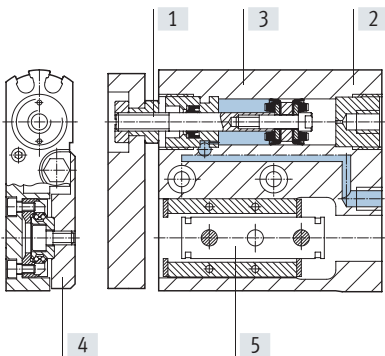
2) Note also the graph illustrating piston speed as a function of payload → page 16

Data sheet

Weights [g]				
Piston diameter	Stroke	6	10	16
Product weight	10	108	135	257
	20	124	156	291
	30	138	171	319
	40	–	178	353
	50	–	227	407
	80	–	–	539
Moving mass	10	32	41	99
	20	37	48	109
	30	48	58	122
	40	–	60	133
	50	–	79	153
	80	–	–	199

Materials

Sectional view



Mini slide

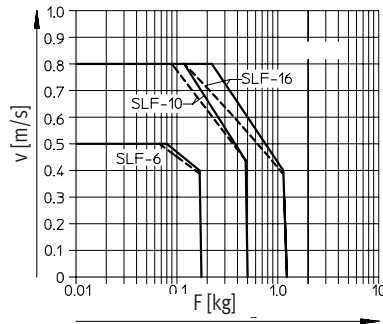
[1]	Piston rod	High-alloy steel
[2]	Cover	Anodised wrought aluminium alloy
[3]	Housing	Anodised wrought aluminium alloy
[4]	Slide	Anodised wrought aluminium alloy
[5]	Guide	Tempered steel
–	Seals	Thermoplastic rubber, hydrogenated nitrile rubber, nitrile rubber
	Note on materials	Free of copper and PTFE

Data sheet

Piston speed v as a function of payload m

SLF-6/-10/-16...-P-A

The piston speed as a function of payload illustrated in this graph must not be exceeded as the kinetic impact or residual energy in the end positions can result in damage to the drive.

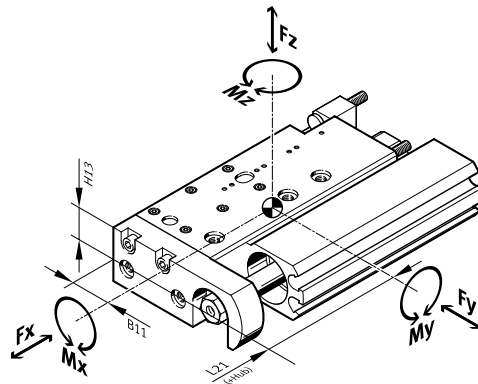


— Min. stroke
- - - - - Max. stroke

Characteristic load values

The indicated torques refer to the centre of the guide.

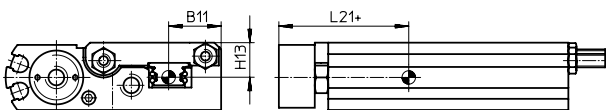
These values must not be exceeded during dynamic operation. Special attention must be paid to the deceleration phase.



If the drive is simultaneously subjected to several of the forces and torques indicated below, the following equation must be satisfied in addition to the indicated maximum loads:

$$f_v = \frac{|F_{y1}|}{F_{y2}} + \frac{|F_{z1}|}{F_{z2}} + \frac{|M_{x1}|}{M_{x2}} + \frac{|M_{y1}|}{M_{y2}} + \frac{|M_{z1}|}{M_{z2}} \leq 1$$

Position of the guide centre



+ plus stroke length

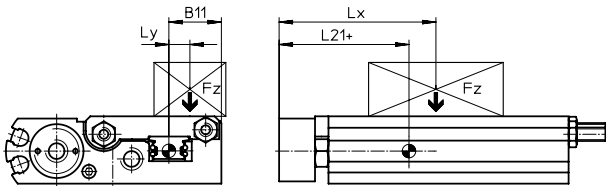
Data sheet

Permissible forces and torques					Geometric characteristics			
Piston diameter	Stroke	$F_{y_{max}}$ [N]	$F_{z_{max}}$ [N]	$M_{x_{max}}, M_{y_{max}}$ [Nm]	$M_{z_{max}}$ [Nm]	B11 [mm]	H13 [mm]	L21 [mm]
6								
	10	170	170	0.6	0.5	14	7	22
	20	150	150	1.1	0.7			21
	30	130	130	1.1	0.7			21
10								
	10	170	170	0.6	0.5	11.5	8	23
	20	150	150	1.1	0.7			25
	30	130	130	1.1	0.7			25
	40	150	150	0.9	0.5			29
	50	190	190	1.4	0.5			34.5
16								
	10	470	470	2.1	1.6	14	11.5	27.5
	20	370	370	1.7	1.3			27.5
	30	390	390	2.5	1.4			31.5
	40	350	350	2.2	1.3			31.5
	50	390	390	3.1	1.4			36
	80	410	410	4.3	1.5			43.5

Calculation example

Given:

To be calculated:



Mini slide = SLF-10

Stroke length =

20 mm

Lever arm L_x = 5 mmLever arm L_y = 20 mmMass F_z = 0.495 kgAcceleration a = 0 m/s²

To be calculated:

 F_y, F_z, M_x, M_y, M_z

and

verification of operation with
combined load

Solution:

 $L_{21} = 25$ mm from table

$$F_y = 0 \text{ N}$$

$$F_z = m \times g$$

$$= 0.495 \text{ kg} \times 9.81 \text{ m/s}^2 = 4.856 \text{ N}$$

$$M_x = m \times g \times L_y$$

$$= 0.495 \text{ kg} \times 9.81 \text{ m/s}^2 \times 20 \text{ mm} = 0.097 \text{ Nm}$$

$$M_y = m \times g \times [(L_{21} + \text{Hub}) - L_x]$$

$$= 0.495 \text{ kg} \times 9.81 \text{ m/s}^2 [(25 \text{ mm} + 20 \text{ mm}) - 5 \text{ mm}] = 0.194 \text{ Nm}$$

$$M_z = 0 \text{ Nm}$$

Combined load:

$$f_v = \frac{|F_{y1}|}{F_{y2}} + \frac{|F_{z1}|}{F_{z2}} + \frac{|M_{x1}|}{M_{x2}} + \frac{|M_{y1}|}{M_{y2}} + \frac{|M_{z1}|}{M_{z2}} \leq 1$$

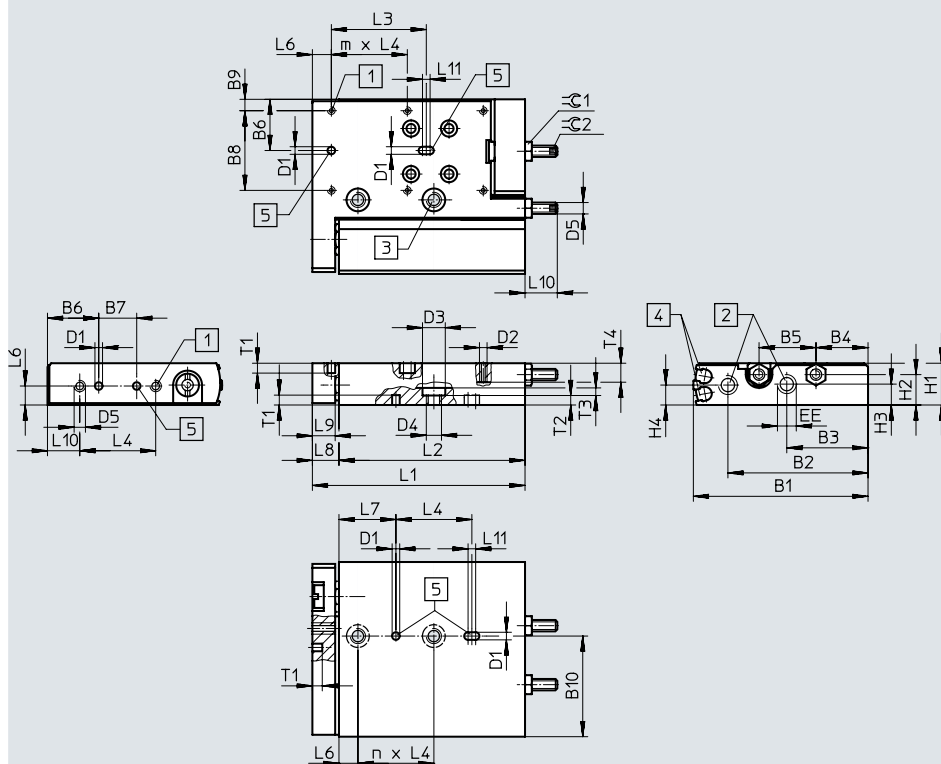
$$= 0 + \frac{4,856 \text{ N}}{150 \text{ N}} + \frac{0,097 \text{ Nm}}{1,1 \text{ Nm}} + \frac{0,194 \text{ Nm}}{1,1 \text{ Nm}} + 0 = 0,297 \leq 1$$

Data sheet

Dimensions

Download CAD data → www.festo.com

∅ 6



- [1] Mounting thread
 [2] Compressed air supply ports
 [3] Through-holes for mounting the drive
 [4] Sensor slot for proximity switch SME/SMT-10
 [5] Centring holes (centring sleeves included in the scope of delivery)

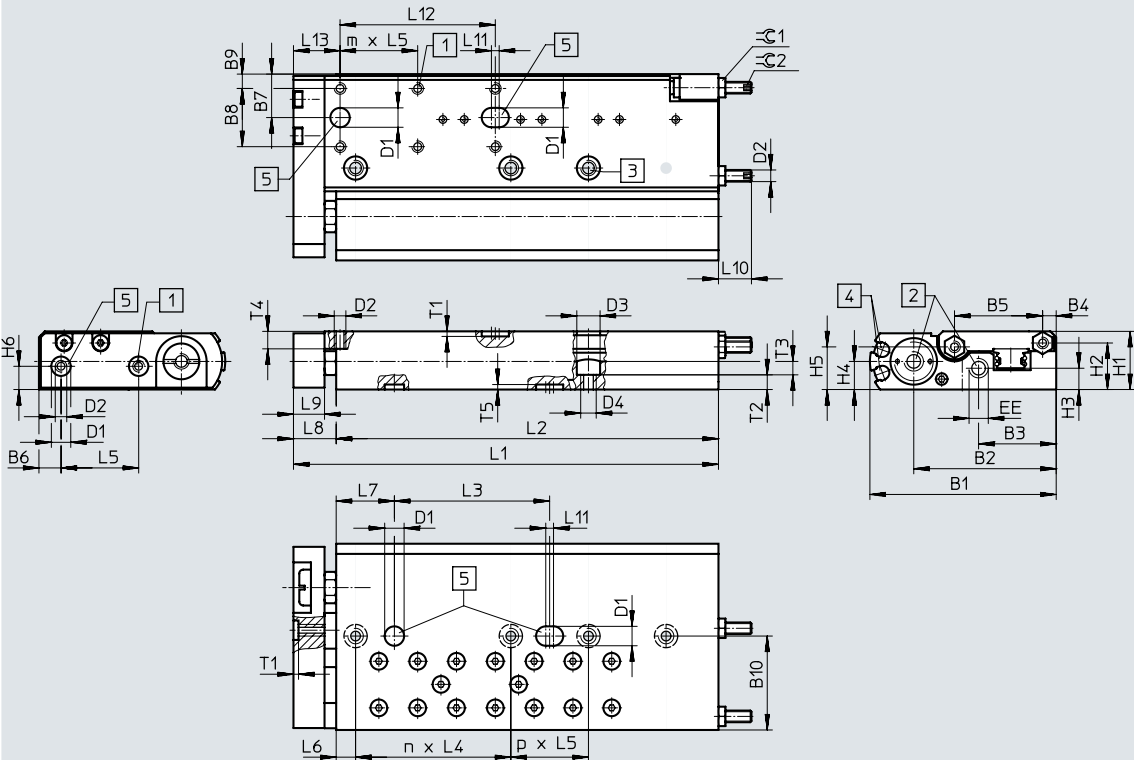
∅	B1	B2	B3	B4	B5	B6	B7	B8	B9	B10	D1
[mm]											∅ H7
6	46	36.9	21.4	13.7	15	13.5	10	21	3	26.5	2
∅	D2	D3	D4	D5	EE	H1	H2	H3	H4	L4	L6
[mm]		∅									
6	M2	6	M4	M3	M5	11	8	5.5	5.25	20	5
∅	L7	L8	L9	L10	L11	T1	T2	T3	T4	⊙1	⊙2
[mm]											
6	15	7	6	8.5	2	2.6	2.5	2	5	5	1.5
∅	Stroke	L1	L2	L3	m	n					
[mm]	[mm]										
6	10	56	49	20	2	1					
	20	66	59	20	2	2					
	30	76	69	40	3	2					

Data sheet

Download CAD data → www.festo.com

Dimensions

∅ 10



- [1] Mounting thread
- [2] Compressed air supply ports
- [3] Through-holes for mounting the drive
- [4] Sensor slot for proximity switch SME/SMT-10
- [5] Centring holes (centring sleeves included in the scope of delivery)

∅	B1	B2	B3	B4	B5	B6	B7	B8	B9	B10	D1 ∅ H7	D2	D3 ∅
[mm]													
10	48	36.7	20	3.5	22.7	5.7	11.2	15	3.7	24.2	5	M3	6

∅	D4	EE	H1	H2	H3	H4	H5	H6	L5	L6	L7	L8
[mm]												
10	M4	M5	15	12	5.5	7.25	11	6	20	5	15	11

∅	L9	L10	L11	L12	L13	T1	T2	T3	T4	T5	≈1	≈2
[mm]												
10	8	8.5	2	40	12	1.3	3.8	3	4.5	1.2	5	1.5

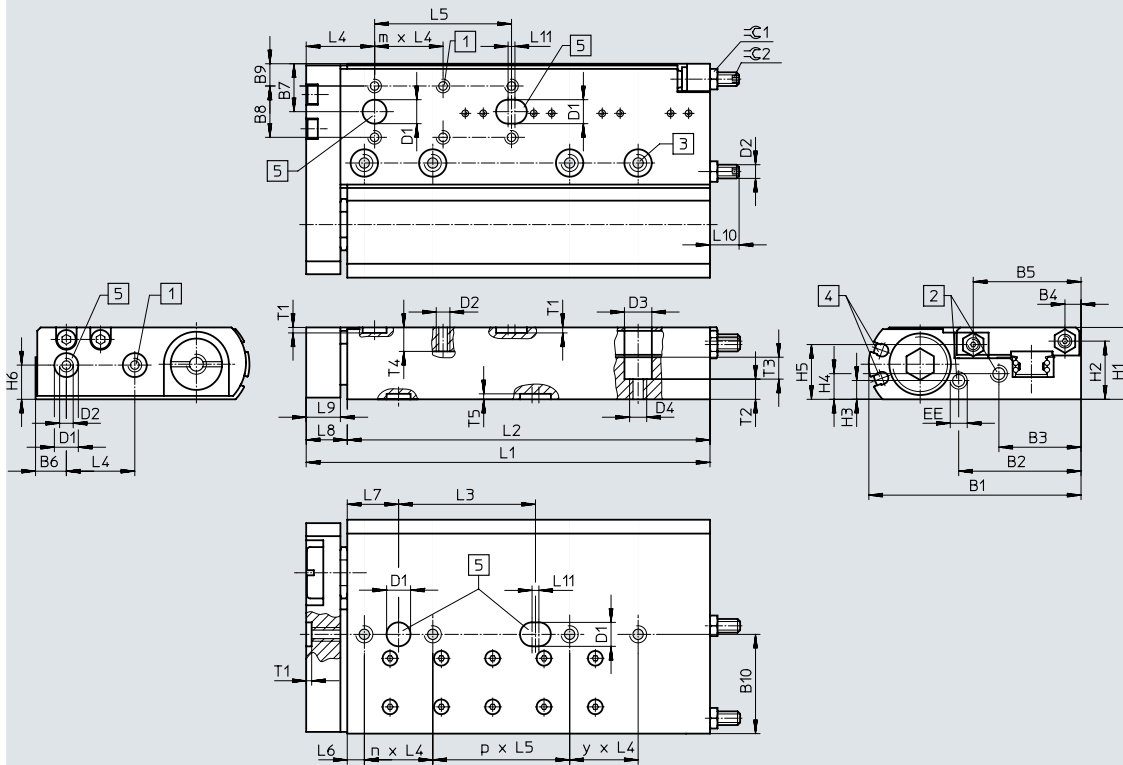
∅	Stroke	L1	L2	L3	L4	m	n	p	
[mm]	[mm]								
10	10	59.5	48.5	20	20	1	1	-	
	20	69.5	58.5						
	30	79.5	68.5	40	40	2	2		
	40	89.5	78.5						
	50	109.5	98.5						
								3	
								1	2

Data sheet

Dimensions

Download CAD data → www.festo.com

∅ 16



- [1] Mounting thread
- [2] Compressed air supply ports
- [3] Through-holes for mounting the drive
- [4] Sensor slot for proximity switch SME/SMT-10
- [5] Centring holes (centring sleeves included in the scope of delivery)

∅	B1	B2	B3	B4	B5	B6	B7	B8	B9	B10	D1 ∅ H7	D2	D3 ∅
[mm]													
16	62	35.75	24	4.7	31.5	9	14	15	6.5	29	7	M4	8

∅	D4	EE	H1	H2	H3	H4	H5	H6	L4	L5	L6	L7
[mm]												
16	M5	M5	21	17	5.5	7.5	16	10	20	40	5	15


∅	L8	L9	L10	L11	T1	T2	T3	T4	T5	∅C1	∅C2
[mm]											
16	12	10	8.5	2	1.6	5.9	6	7	1.5	6	2

∅	Stroke	L1	L2	L3	m	n	p	y
[mm]	[mm]							
16	10	68	56	20	1	1	-	-
	20	78	66			2		
	30	88	76		40	2	3	
	40	98	86	1			1	1
	50	118	106					
	80	160	148			2	-	

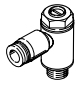
Data sheet

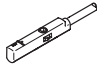
Ordering data			
∅ [mm]	Stroke [mm]	Part no.	Type
6			
	10	170503	SLF-6-10-P-A
	20	170504	SLF-6-20-P-A
	30	170505	SLF-6-30-P-A
10			
	10	170506	SLF-10-10-P-A
	20	170507	SLF-10-20-P-A
	30	170508	SLF-10-30-P-A
	40	170509	SLF-10-40-P-A
	50	170510	SLF-10-50-P-A
16			
	10	170511	SLF-16-10-P-A
	20	170512	SLF-16-20-P-A
	30	170513	SLF-16-30-P-A
	40	170514	SLF-16-40-P-A
	50	170515	SLF-16-50-P-A
	80	170516	SLF-16-80-P-A

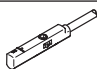
Accessories



Ordering data		6		10		16		
		Part no.	Type	Part no.	Type	Part no.	Type	
Centring pins/sleeves for SLF ¹⁾							Data sheets → Internet: zbh, zbs	
	Housing	525273	ZBS-2	189652	ZBH-5	186717	ZBH-7	
	Slide							
	Yoke							

1) Scope of delivery: 10 per pack

Ordering data – One-way flow control valves					Data sheets → Internet: grla	
	Connection	For tubing O.D.	Material	Part no.	Type	
	Thread					
	M5	3	Metal version	193137	GRLA-M5-QS-3-D	
		4		193138	GRLA-M5-QS-4-D	
	G1/8	4		193143	GRLA-1/8-QS-4-D	
		6		193144	GRLA-1/8-QS-6-D	

Ordering data – Proximity switches for C-slot, magneto-resistive						Data sheets → Internet: smt
	Type of mounting	Switching output	Electrical connection, outlet direction of connection	Cable length [m]	Part no.	Type
	N/O contact					
	Insertable in the slot from above	PNP	Cable, 3-wire, in-line	2.5	551373	SMT-10M-PS-24V-E-2,5-L-OE
			Plug M8x1, 3-pin, in-line	0.3	551375	SMT-10M-PS-24V-E-0,3-L-M8D
			Plug M8x1, 3-pin, crosswise	0.3	551376	SMT-10M-PS-24V-E-0,3-Q-M8D

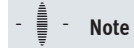
Ordering data – Proximity switches for C-slot, magnetic reed						Data sheets → Internet: sme
	Type of mounting	Switching output	Electrical connection, outlet direction of connection	Cable length [m]	Part no.	Type
	N/O contact					
	Insertable in the slot from above	Contacting	Plug M8x1, 3-pin, in-line	0.3	551367	SME-10M-DS-24V-E-0,3-L-M8D
			Cable, 3-wire, in-line	2.5	551365	SME-10M-DS-24V-E-2,5-L-OE
			Cable, 2-wire, in-line	2.5	551369	SME-10M-ZS-24V-E-2,5-L-OE

Ordering data – Connecting cables					Data sheets → Internet: nebu	
	Electrical connection, left		Electrical connection, right	Cable length [m]	Part no.	Type
		Straight socket, M8x1, 3-pin		Cable, open end, 3-wire	2.5	541333
5					541334	NEBU-M8G3-K-5-LE3
	Angled socket, M8x1, 3-pin		Cable, open end, 3-wire	2.5	541338	NEBU-M8W3-K-2.5-LE3
				5	541341	NEBU-M8W3-K-5-LE3

Accessories

Adapter kit
HAPS

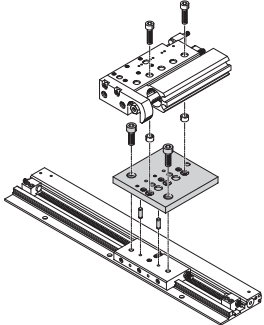
Material:
Wrought aluminium alloy
Free of copper and PTFE
RoHS-compliant

**Note**

The kit includes the individual mounting interface as well as the necessary mounting material.

Permissible drive/drive combinations with adapter kit

Download CAD data → www.festo.com

Combination	[1] Drive size	[2] Drive size	Adapter kit			Quantity required	PE ²⁾
			KBK ¹⁾	Part no.	Type		
SLG/SLF	SLG	SLF	HAPS				
	8, 12	6, 10	2	189533	HAPS-11	1	1
	12	16		189533	HAPS-11	1	1
	18	10, 16		189534	HAPS-12	1	1

1) Corrosion resistance class CRC 1 to Festo standard FN 940070

Low corrosion stress. Dry internal application or transport and storage protection. Also applies to parts behind covers, in the non-visible interior area, and parts which are covered in the application (e.g. drive trunnions).

2) Packaging unit quantity.

Festo - Your Partner in Automation



1 Festo Inc.
5300 Explorer Drive
Mississauga, ON L4W 5G4
Canada

Festo Customer Interaction Center
Tel: 1 877 463 3786
Fax: 1 877 393 3786
Email: customer.service.ca@festo.com



2 Festo Pneumatic
Av. Ceylán 3,
Col. Tequesquináhuac
54020 Tlalnepantla,
Estado de México

Multinational Contact Center
01 800 337 8669
ventas.mexico@festo.com



3 Festo Corporation
1377 Motor Parkway
Suite 310
Islandia, NY 11749

Festo Customer Interaction Center
1 800 993 3786
1 800 963 3786
customer.service.us@festo.com



4 Regional Service Center
7777 Columbia Road
Mason, OH 45040

Connect with us



www.festo.com/socialmedia



www.festo.com

Subject to change